



Effective: December, 2002 (replaces April, 1993)

12 SCFM Visi-Guard/Metl-Guard Dryer

These compressed air dryers are intended for instrumentation, laboratory applications and other low-flow uses that require extremely dry or oil-free air. Contaminants in vapor form, which cannot be removed by filtration, are thoroughly removed from the air. The type of application should be specified as to whether dew point reduction (water vapor) or the removal of oil vapor is required.

Model Numbers:

- 1716-10 Visi-Guard
- 1716-6 Metl-Guard

Rated Flow:

- 12 SCFM @ 100 psig
- 340 L/min @ 7 Kg/cm²
- 20 m³/hr @ 7 bar

Connections:

- 1/2" NPT

Cartridges:

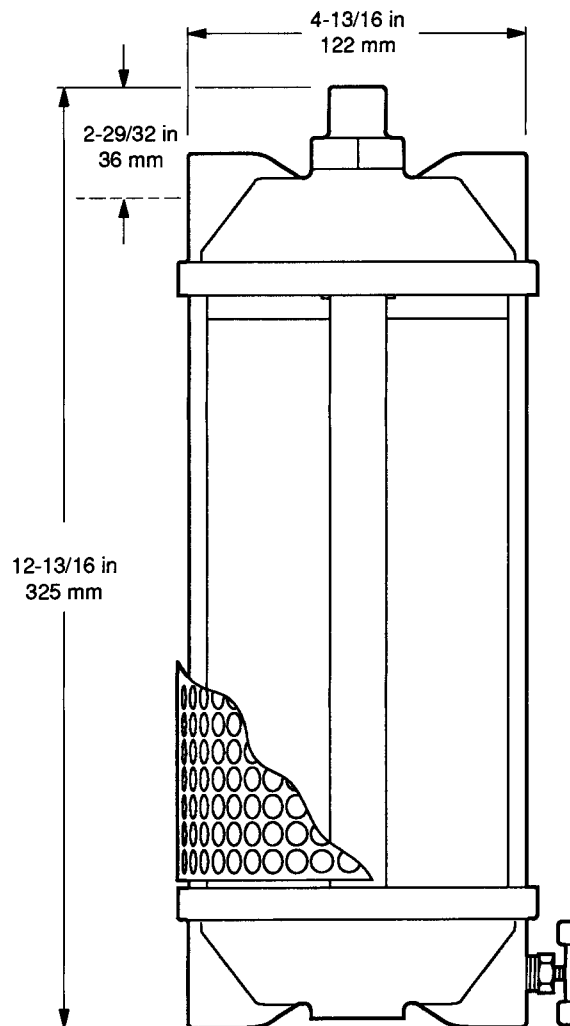
- Single Stage Design -
Desiccant (vapor removal)

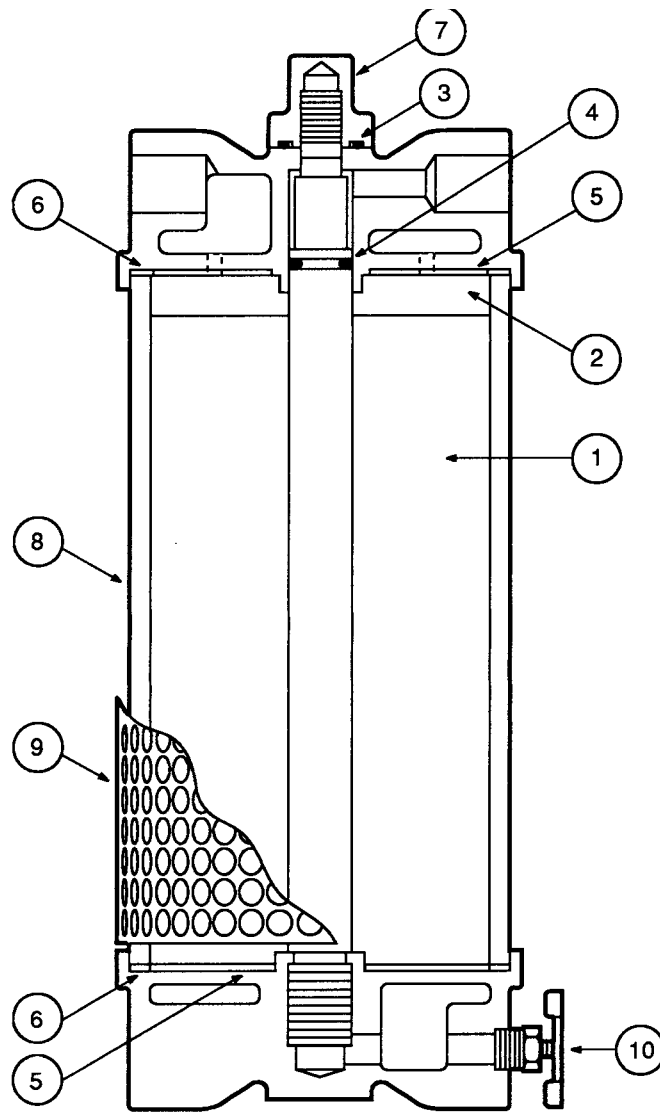
Physical Data:

- Housing - (1716-10) Aluminum/
Acrylic, (1716-6) Aluminum
- Weight - 15 lbs./6.81 kg.

Discontinued Models:

- 1716-26 & 1716-30 (w/bullseye
moisture indicator)





Item	Description	Part No.	Qty.
1	Desiccant (note 1 & 2)	See chart	1
2	Dust Filter Pad	1787	1
3	O-Ring	6495-14	1
4	O-Ring	6495-11	1
5	Screen Replacement Kit (note 3)	5910-1	1
6	Gasket (note 4)	9329-21	1
7	Center Post Nut	1721-NP	1
8	Visi-Bowl	6113-21	1
	Metl-Bowl	6113-31	1
9	Shatterguard	9423-11	1
10	Manual Drain Petcock	6120-3	1

Desiccant Charge – Replacement Packs

Oil Vapor Removal

1730-4 AC-1 Activated Charcoal
 1730-6 MS-2 Silicate

Temp. Limit

120°F/49°C
 200°F/93°C

Water Vapor Removal

1730 SG-1 Indicating Silica Gel
 1730-5 MS-1 Silicate

100°F/38°C
 200°F/93°C

Notes:

1. Replacement desiccant packs include filter pad (item 2) and pre-measured charge for 12 SCFM dryers.
2. SG-1 is an indicating color change silica gel that changes from bright blue to pink as water vapor is adsorbed.
3. Includes upper and lower screens and (2) sealing gaskets.
4. Included with item 5.