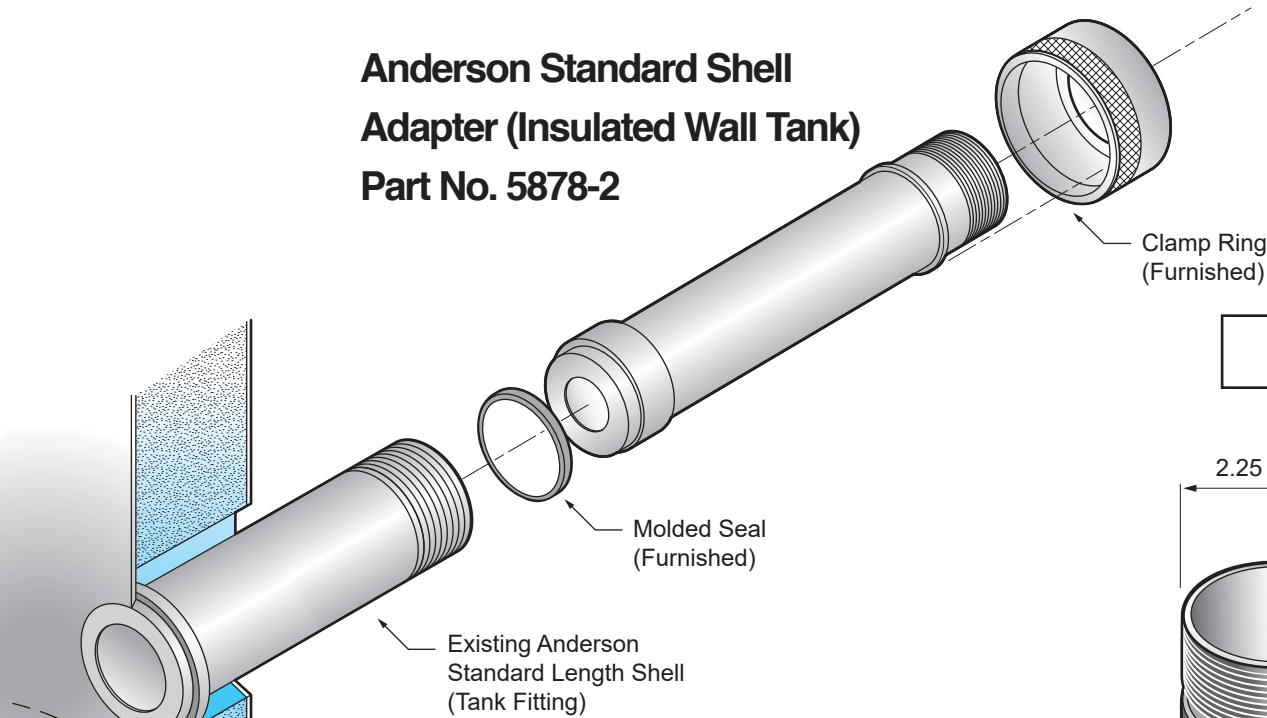
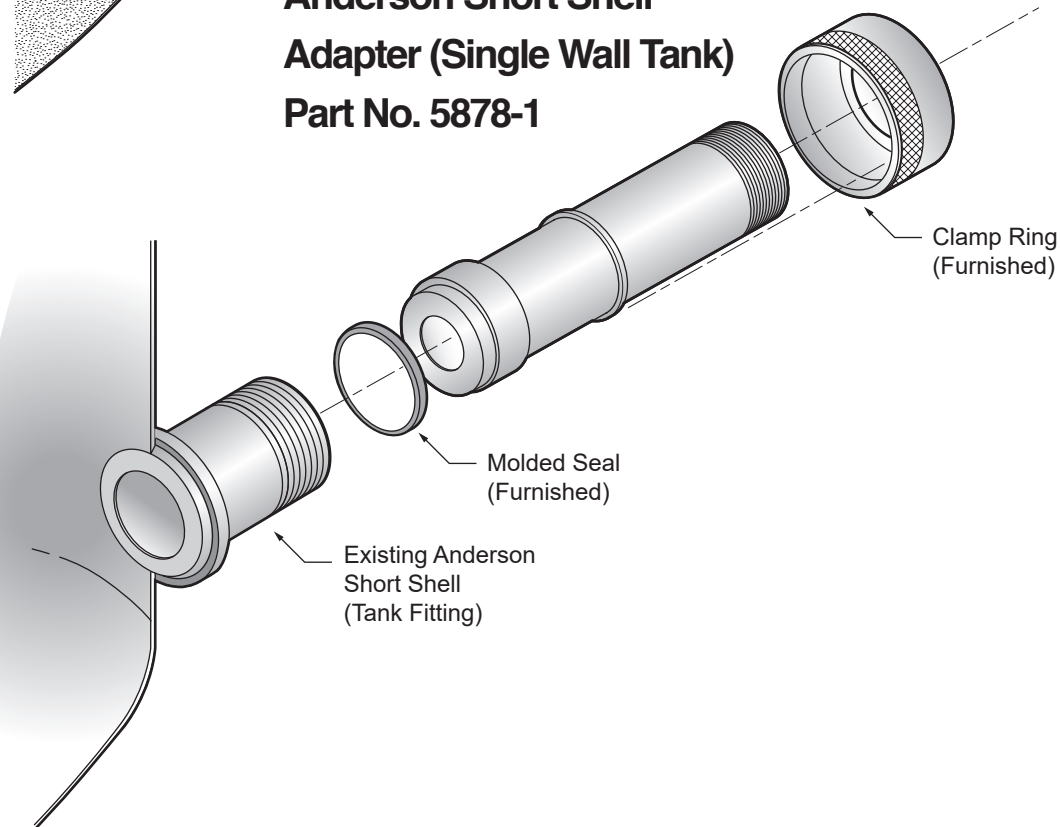


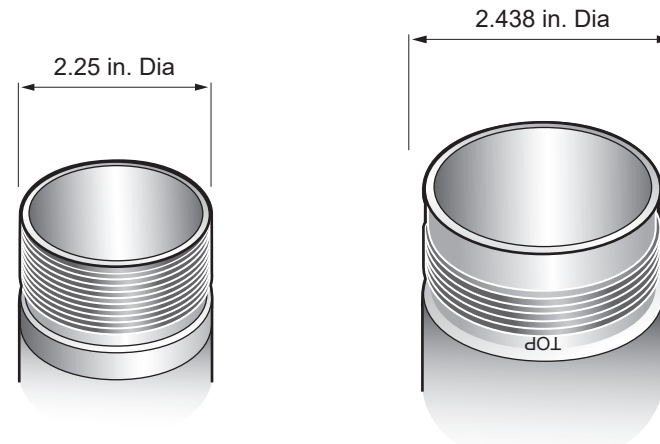
Anderson Standard Shell Adapter (Insulated Wall Tank)
Part No. 5878-2



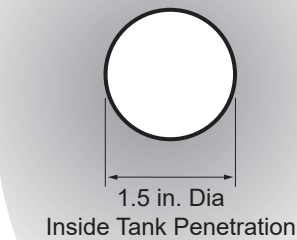
Anderson Short Shell Adapter (Single Wall Tank)
Part No. 5878-1



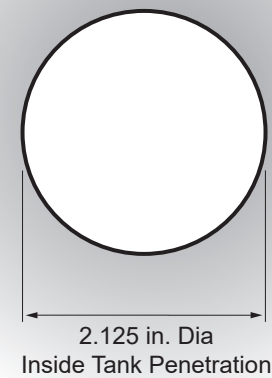
Some Anderson Instrument Sensors use Cherry-Burrell type shell.



Cherry-Burrell type shell (requires KING Adapter for Cherry-Burrell)



Anderson Instrument shell (requires 5878-* adapter)



TANK SHELL ADAPTER INSERT

The shell insert(s) illustrated are used to adapt existing tank fittings for KING-GAGE sensors or transmitters. The shell adapter(s) shown on this instruction sheet permit the following conversion:

- Anderson Instrument to KING-GAGE (Not applicable to installations using Cherry-Burrell type shell)

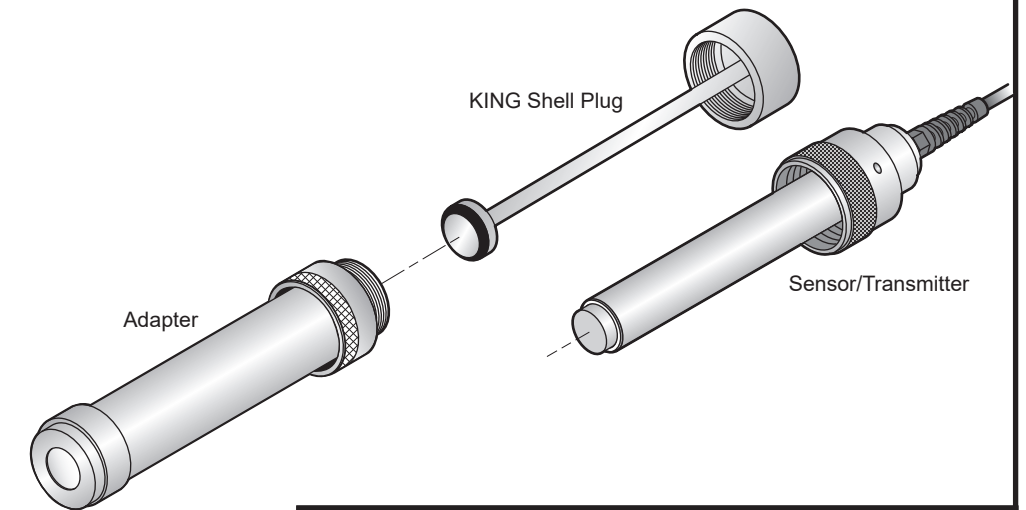
The complete adapter package supplied includes molded seal gasket and clamp ring.

INSTALLATION

Before inserting adapter assembly, check existing shell that is welded to the tank. If the opening at the end of the shell into the tank is damaged or distorted (oval rather than round), the adapter insert may not properly seal.

1. Remove existing sensor (if applicable) and wipe inside surfaces of the shell so that it is clean and dry.
2. Make certain that molded gasket is properly seated in the groove on the face of the adapter. Insert adapter into shell and hand tighten clamp ring.

DO NOT FILL TANK until a sensor or KING shell plug (p.n. 2584-3 "Standard" or p.n. 2584-6 "Long") has been installed.



INSTALLATION INSTRUCTIONS

Adapter Insert for Anderson Instrument Shell
5878-1 Short Shell Adapter
5878-2 Standard Shell Adapter

			DATE	12/21/2009
E	12/09	CB DIA was 2.125	DRAWN BY	J. Gwls
D	10/02	Revised and redrawn	APPROVED	

KING-GAGE
A NOSHOK Company

1010 West Bagley Rd., Berea, Ohio 44017
Ph 855.367.2494 www.king-gage.com

DWG. NO.
K-1060-1-415

REV. **E**
SHEET 1 OF 1