

KING-GAGE

A NOSHOK Company

1010 West Bagley Rd., Berea, Ohio 44017
Ph 855.367.2494 www.king-gage.com

Printed in U.S.A.

Y-3030-38 3/08

KING-GAGE

A NOSHOK Company

1010 West Bagley Rd., Berea, Ohio 44017
Ph 855.367.2494 www.king-gage.com

Printed in U.S.A.

Y-3030-38 3/08

KING-GAGE

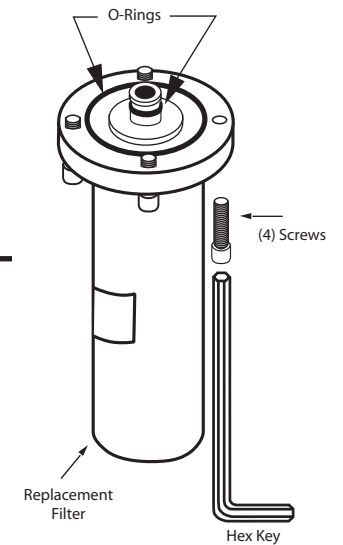
A NOSHOK Company

**Replace Element Every
12 Months or Less**
Order Integral Filter 7333-10

Replacement Filter Kit Model 7333-10

This element mounts directly to the Air Control unit and acts as a protective final filter. Replace at least every 12 months or before for best results.

The kit includes O-ring seals, mounting screws and a 9/64-in. hex key. Filter element incorporates a continuous bleed drain port on the underside for liquid discharge. Continuous air discharge from this port is normal - DO NOT plug! (Use a fitting with #10-32 threads for routing discharge to a collection point.)



KING-GAGE

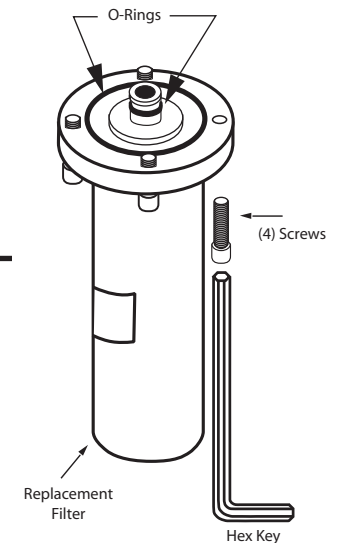
A NOSHOK Company

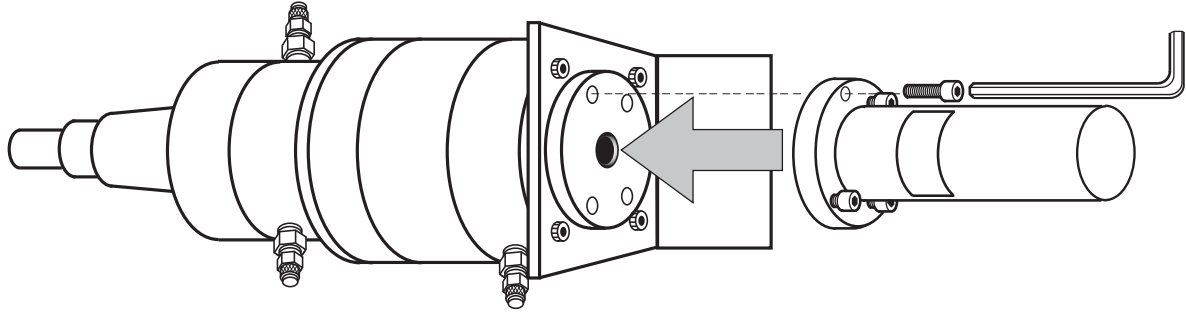
**Replace Element Every
12 Months or Less**
Order Integral Filter 7333-10

Replacement Filter Kit Model 7333-10

This element mounts directly to the Air Control unit and acts as a protective final filter. Replace at least every 12 months or before for best results.

The kit includes O-ring seals, mounting screws and a 9/64-in. hex key. Filter element incorporates a continuous bleed drain port on the underside for liquid discharge. Continuous air discharge from this port is normal - DO NOT plug! (Use a fitting with #10-32 threads for routing discharge to a collection point.)





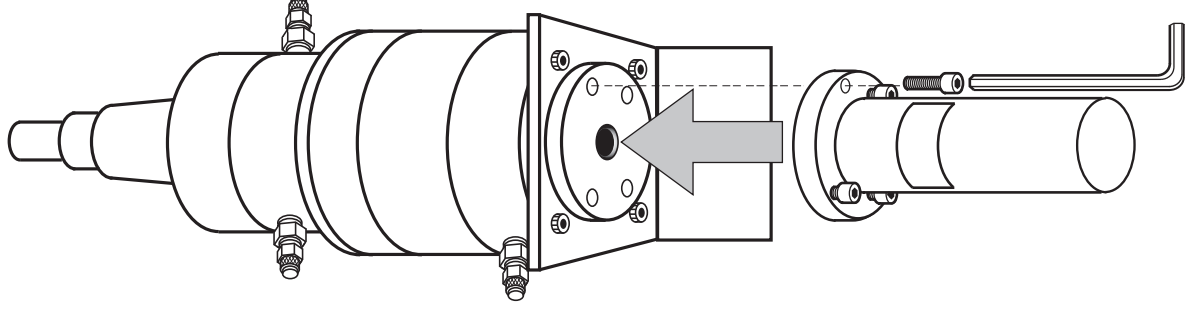
Installing the Replacement Filter

Always mount Air Control and filter element in an upright vertical position.

1. Turn off compressed air supply to the Air Control before proceeding!
2. Use the supplied hex key to remove the four (4) small socket head screws on the base of the Air Control below the bracket.
3. Pull straight down on the existing filter element to disconnect it from the Air Control. Wipe off any moisture or debris from the exposed underside of the Air Control.
4. Position the O-ring seals onto the filter stem and flange. Insert the filter element into the Air Control.
5. Rotate as necessary to align the screw holes. Install all four (4) mounting screws and tighten securely with the hex key.

Turn on compressed air supply to the Air Control.

NOTE: Continuous air discharge from bottom of filter element is normal.



Installing the Replacement Filter

Always mount Air Control and filter element in an upright vertical position.

1. Turn off compressed air supply to the Air Control before proceeding!
2. Use the supplied hex key to remove the four (4) small socket head screws on the base of the Air Control below the bracket.
3. Pull straight down on the existing filter element to disconnect it from the Air Control. Wipe off any moisture or debris from the exposed underside of the Air Control.
4. Position the O-ring seals onto the filter stem and flange. Insert the filter element into the Air Control.
5. Rotate as necessary to align the screw holes. Install all four (4) mounting screws and tighten securely with the hex key.

Turn on compressed air supply to the Air Control.

NOTE: Continuous air discharge from bottom of filter element is normal.