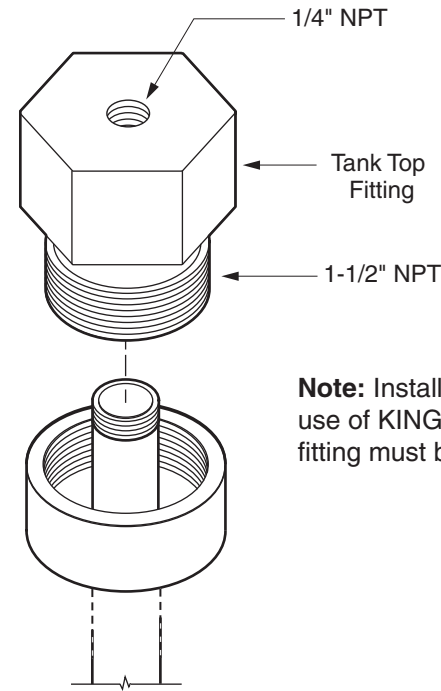


### Downpipe Installation

Distance from end of pipe to lowest point in tank should be accurately noted for indicator scaling purposes. If practical during installation, make final trim on pipe length to achieve 1-2" gap from tank bottom.

- 1-1. Pipe should standard tapered 3/4 NPT thread on one end. Check that threads are clean and not damaged.
- 1-2. Thread fitting onto end of pipe - use thread sealer to ensure leaking fit.
- 1-3. Insert pipe with fitting into tank opening. For tank connection other than 1-1/2 NPT, use bushing or adapter.



**Note:** Installation detail assumes use of KING tank top fitting. This fitting must be ordered separately.

### Model 738 D/P LiquiSeal Control

Recommended mounting location is close to tank at a height equal to or higher than tank top fitting/downpipe connection. A compressed air supply connection is required.

- 2-1. Mount control in the position shown. Disposable filter element should remain accessible for later replacement (recommended every 12 months). Allow adequate clearance beneath control.
- 2-2. Route compressed air supply line to control location. Installing a shut-off valve is recommended for future serving of control.

### Compressed Air Supply Pressure

A sub-micron instrument grade coalescing filter should be installed upstream of the supply line to the control. Oil and/or water contamination of air supply may lead to component failure. Compressed air supply must be filtered and dry enough to prevent condensation or freeze-up in the control.

**Minimum:** 20 psi greater than anticipated liquid head pressure - or 35 psig, whichever is greater.

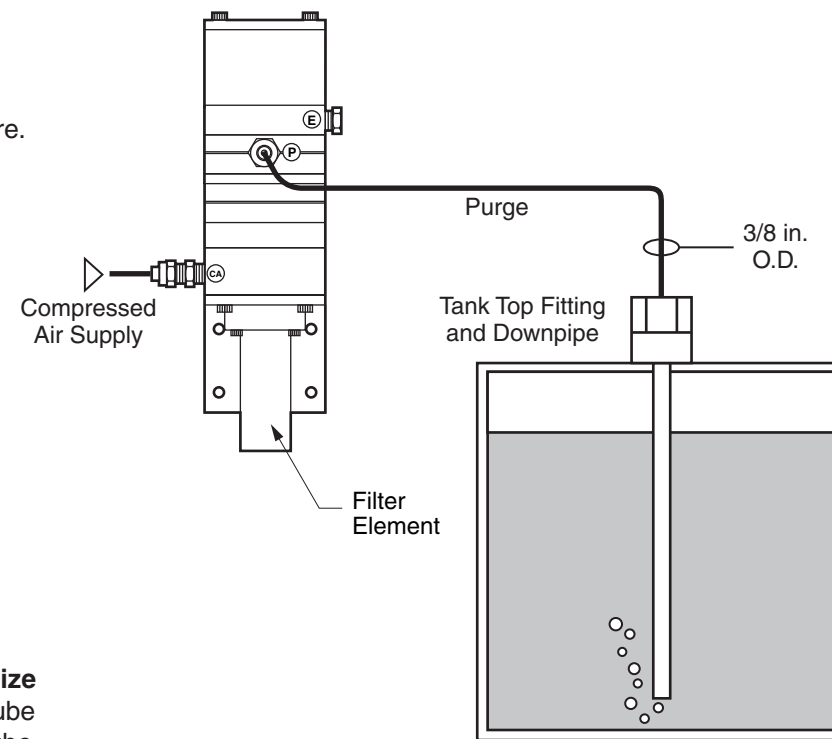
**Maximum:** Do not exceed 150 psig.

### Final Tubing Connections

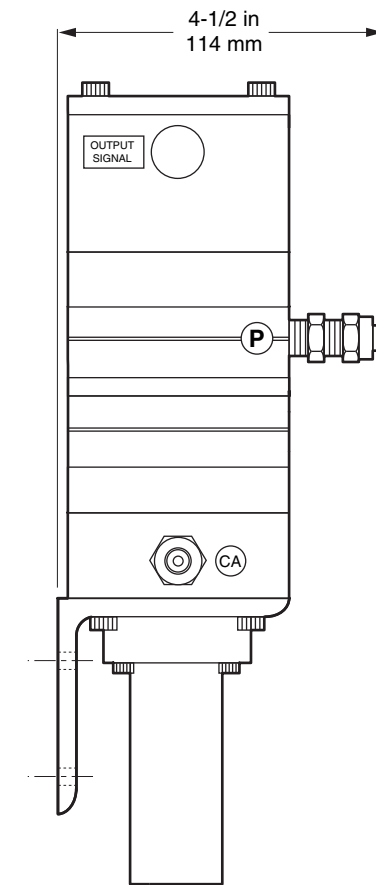
3/8" tubing is recommended for the air purge line to the tank top fitting/downpipe. 1/4" tubing is recommended for gauge pressure line to indicator or other receiver. Tube fittings, if supplied, correspond to tube sizes listed below. Do not "tee" into lines for any equipment that consumes air or is not specifically leaktight.

Designation	Connection	Tube Size
P - Purge	1/4 NPT	3/8" tube
E - Equalizer (low pressure)	1/4 NPT	1/4" tube
CA - Air Supply	1/4 NPT	1/4" tube

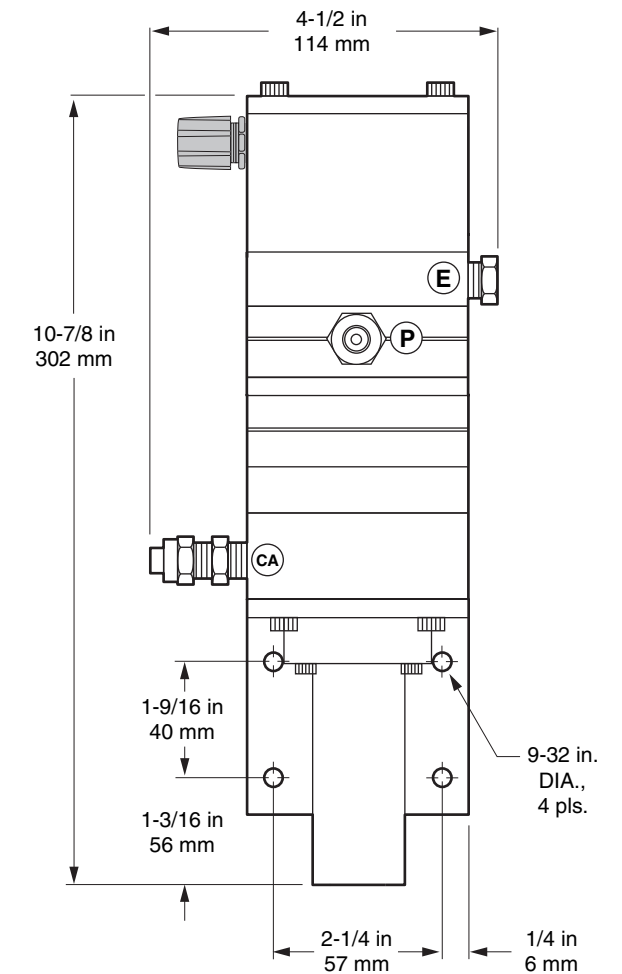
Equalizer port (E) is the low pressure input for the D/P transmitter and is normally supplied with a vent plug. Closed or non-vented tanks may require that the void pressure (above the tank liquid) be applied to this low pressure port. (The purging of the downpipe creates the high pressure input to the D/P transmitter.)



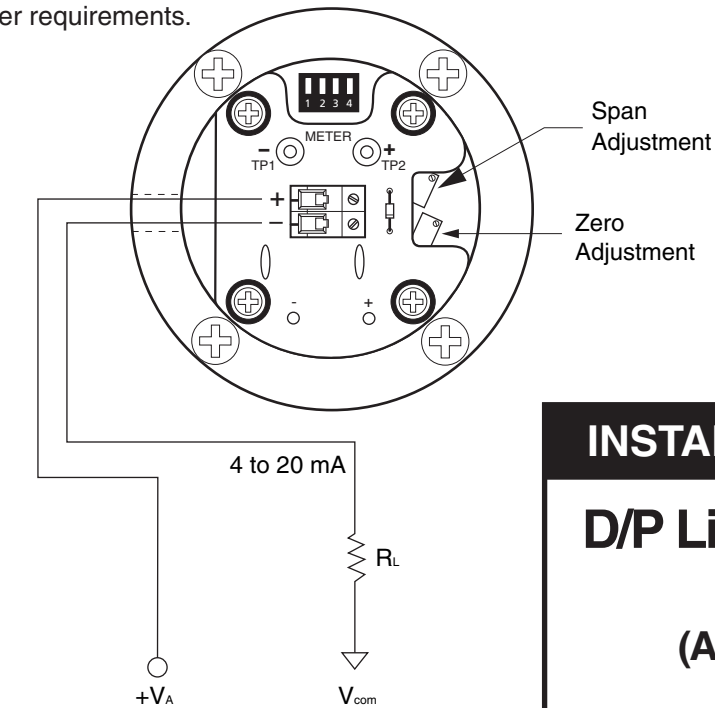
Left Side View



Front View



**Note:** Refer to instruction manual EX-1673-2 for details on electrical signal connections and power requirements.



## INSTALLATION INSTRUCTIONS

### D/P LiquiSeal Purge Control Model 738 (Air Supply and Downpipe Purge Connections)

			DATE	1/15/08
C	1/08	Added Hubb. conn. & equalizer txt		
B	8/02	Revised w/ 4-20 mA diagram	DRAWN BY	H. Emrick
A	2/00	Released	APPROVED	

**KING-GAGE**  
A NOSHOK Company

1010 West Bagley Rd., Berea, Ohio 44017  
Ph 855.367.2494 www.king-gage.com

DWG. NO.  
**K-1050-1-738**

SHEET **1** OF **1**

REV.  
**C**