

# Service Parts & Dimensions – 1040-1.20

Effective: September, 2014 (replaces April, 2008)

## Model 788 D/P Purge Control

### Part Number Reference:

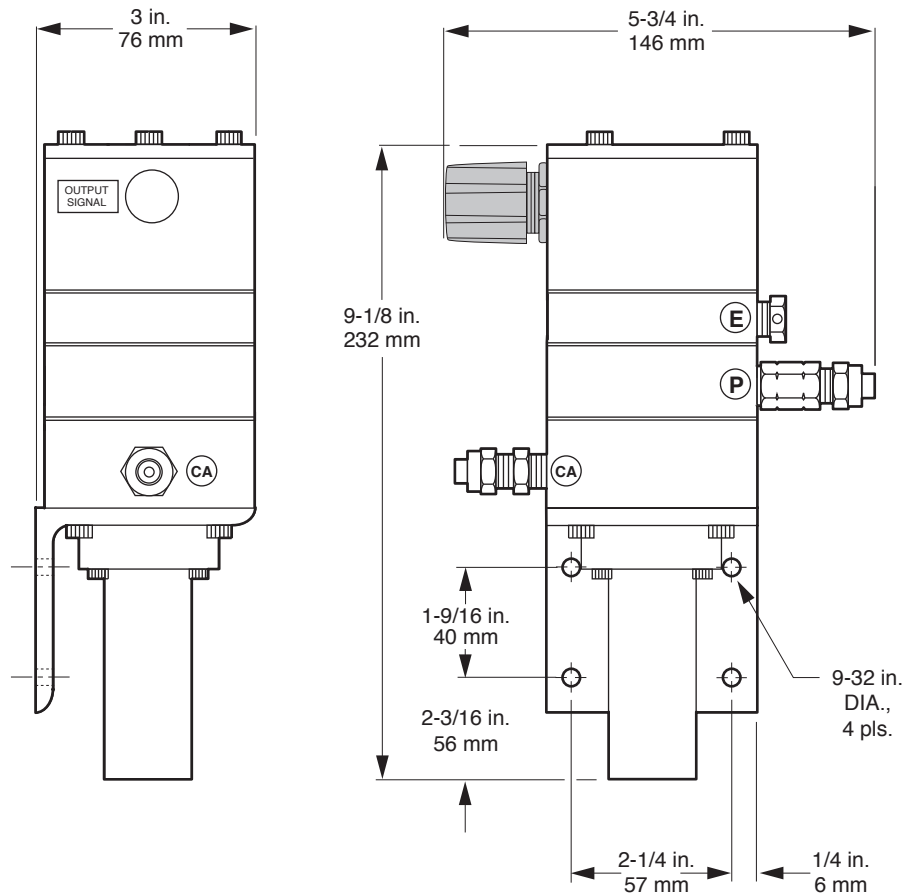
788 -  98 - 1  8

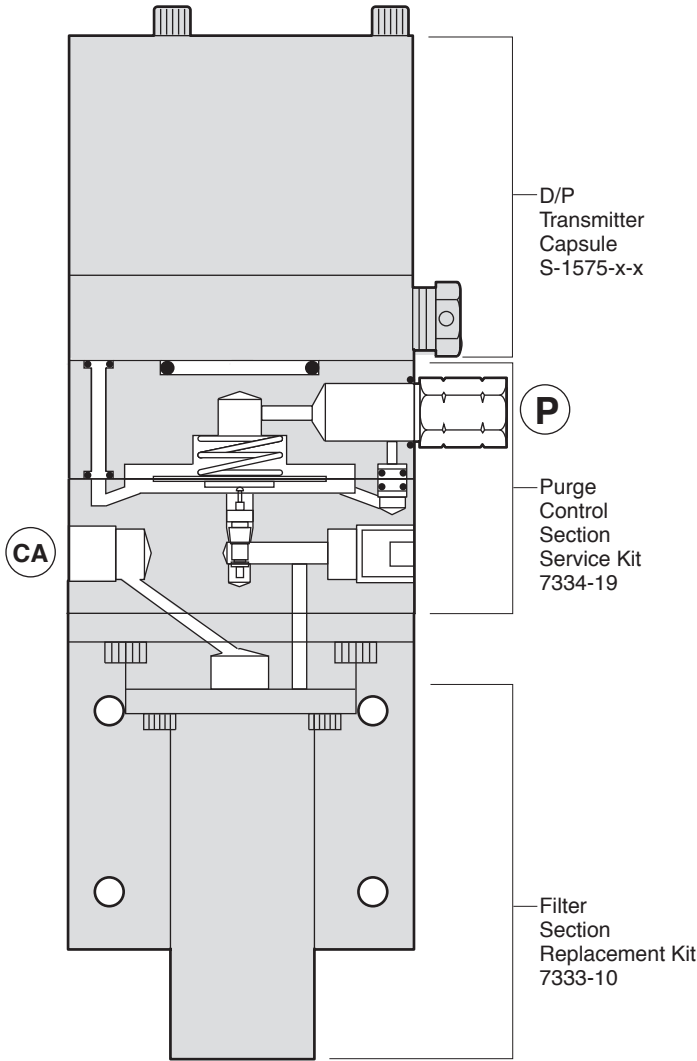
Fittings:  
1 - none  
3 - Polyflo  
4 - Swagelok

D/P Nominal Range:  
5 - 5 psid  
6 - 10 psid  
7 - 15 psid  
8 - 30 psid  
9 - 50 psid

### Fitting Reference:

P..... Air Purge  
CA..... Compressed Air  
E..... Equalizer Reference





**D/P Transmitter Capsule S-1575-x-x**

Description	Part No.	Qty.
D/P transmitter capsule (0-5 PSID) .....	S-1575-0-1 .....	*
D/P transmitter capsule (0-10 PSID) .....	S-1575-1-1 .....	*
D/P transmitter capsule (0-15 PSID) .....	S-1575-2-1 .....	*
D/P transmitter capsule (0-30 PSID) .....	S-1575-3-1 .....	*
D/P transmitter capsule (0-50 PSID) .....	S-1575-4-1 .....	*

\* - Specify replacement transmitter capsule based on PSID range

**Purge Control Section Service Kit 7334-19**

Description	Part No.	Qty.
Replacement Valve Kit.....	3257-1 .....	1
Orifice Assembly .....	4527-2 .....	1
Diaphragm Assembly .....	4508-6 .....	1
Spring (long).....	6927-7 .....	1
O-Ring.....	6495-559 .....	2
Guide Rods.....	3022-1 .....	2

**Filter Section Replacement Kit 7333-10**

Description	Part No.	Qty.
Filter w/ O-Rings .....	7333-10 .....	1