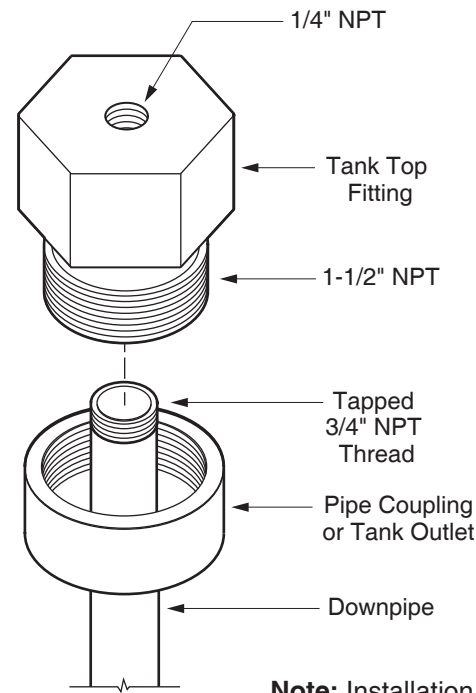


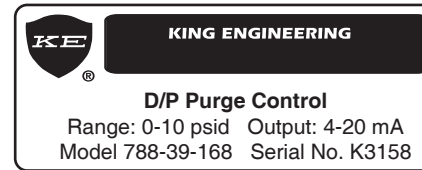
Tank Top Fitting & Downpipe

Fitting Threads onto end of 3/4" pipe and suspends it from tank top. Mates to 1-1/2" NPT coupling or outlet. Distance from end of pipe to lowest point in tank should be accurately noted for indicator scaling purposes. If practical during installation, make final trim on pipe length to achieve 1" to 2" gap from tank bottom.

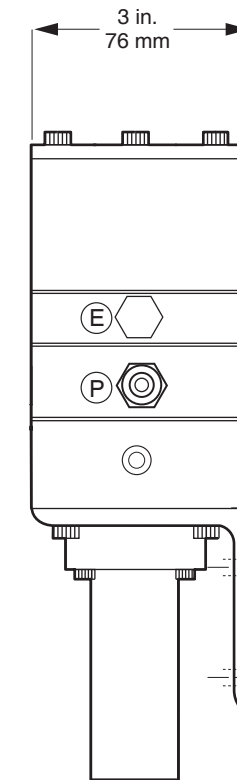
- 1-1. Pipe should have standard tapered 3/4" NPT thread on one end. Check that threads are clean and not damaged.
- 1-2. Thread fitting onto end of pipe - use thread sealer to ensure leaktight fit.
- 1-3. Insert pipe with fitting into tank opening. For tank connection other than 1-1/2" NPT, use bushing or adapter.



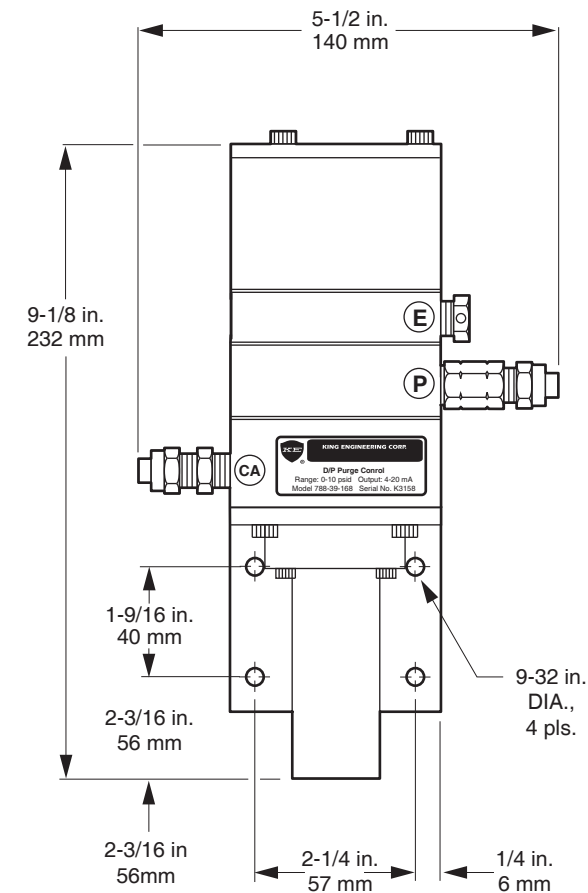
Note: Installation detail assumes use of KING tank top fitting. This fitting must be ordered separately.



Right Side View



Front View



Model 788 D/P Purge Control

Recommended mounting location is close to tank at a height equal to or higher than tank top fitting/downpipe connection. A compressed air supply connection is required.

- 2-1. Mount control in the position shown. Disposable filter element should remain accessible for later replacement (recommended every 12 months). Allow adequate clearance beneath control.
- 2-2. Route compressed air supply line to control location. Installing a shut-off valve is recommended for future servicing of control.

Compressed Air Supply Pressure

A sub-micron instrument grade coalescing filter should be installed upstream of the supply line to the control. Oil and/or water contamination of air supply may lead to component failure.

- Minimum:** 20 psi greater than anticipated liquid head pressure - or 35 psig, whichever is greater.
- Maximum:** Do not exceed 150 psig.

Note: DO NOT locate D/P Purge Control in areas where freezing temperatures (below 32 F/ 0 C) may be encountered.

Final Tubing Connections

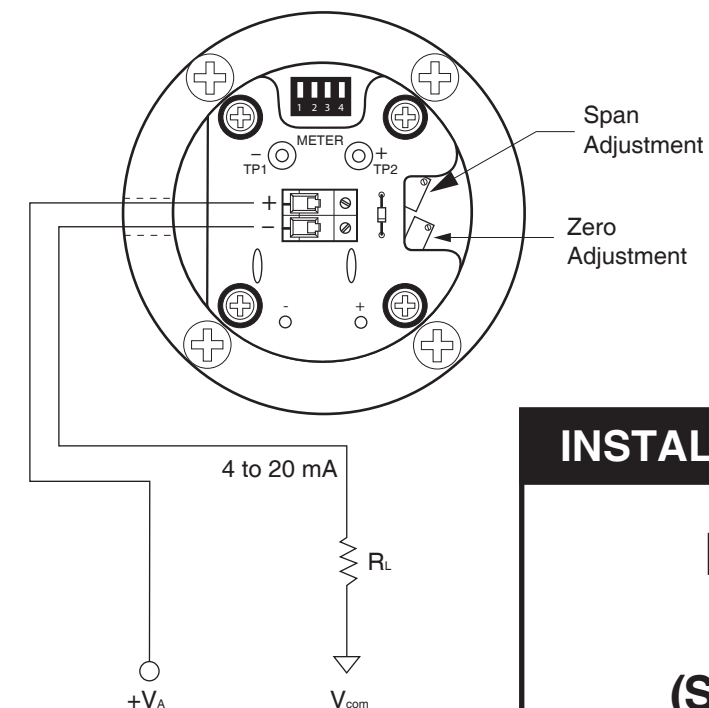
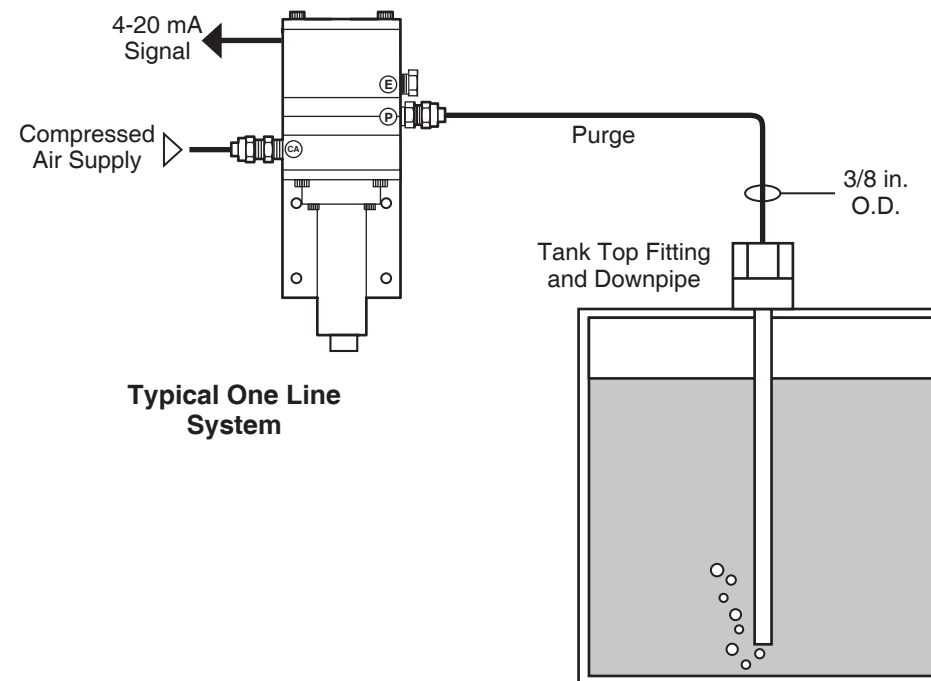
3/8" tubing is recommended for the air purge line to the tank top fitting/downpipe. Tube fittings, if supplied, correspond to tube sizes listed below. Do not "tee" into lines for any equipment that consumes air or is not specifically leaktight.

Designation	Connection	Tube Size
P - Purge	1/4" NPT	3/8" tube
CA - Air Supply	1/4" NPT	1/4" tube
E - Equalizer	1/4" NPT	Vent Plug*

*Equalizer (E) is for low pressure side of differential pressure input on non-vented or sealed tanks. Normally (E) is vented to atmosphere.

4-20 mA Signal Loop Connections

Signal outlet is 1/2" NPT for conduit or cable compression type fitting. Excitation voltage to transmitter is supplied through signal loop from external Vdc power supply. Cabling used should be twisted pair, shielded, 20 AWG.



Note: Refer to instruction manual EX-1673-2 for details on electrical signal connections and power requirements.

INSTALLATION INSTRUCTIONS

Model 788 D/P Purge Control (Single Line Version)

		DATE	3/24/05
C	3/05	Redrawn	
B	5/96	Removed Sheet 2 of 2	DRAWN BY
A	8/94	Released	APPROVED

KING-GAGE
A NOSHOK Company
1010 West Bagley Rd., Berea, Ohio 44017
Ph 855.367.2494 www.king-gage.com

DWG. NO.	K-1090-2-788
SHEET 1 OF 1	REV. C