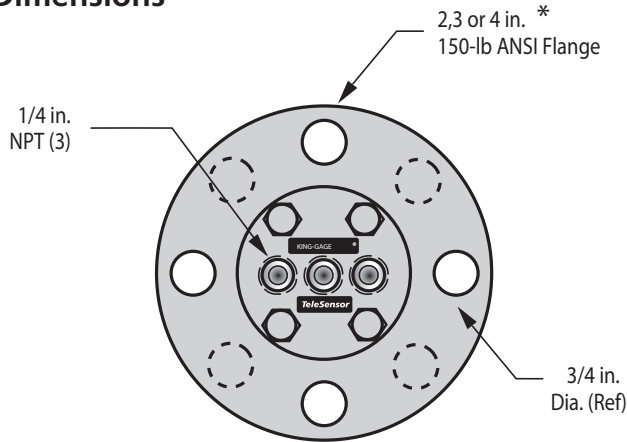


Service Parts & Dimensions 1010-24.10

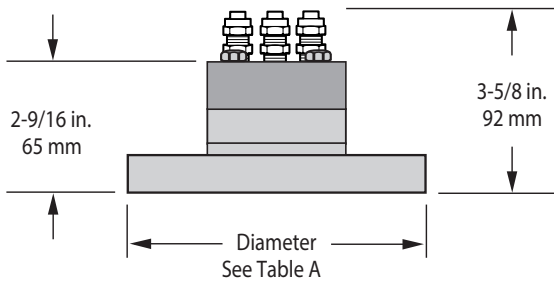
Effective: November, 2010 (replaces Oct, 2004)

TeleSensor Diaphragm Unit External Mounting - Base No.'s 922, 923, 924 & 925

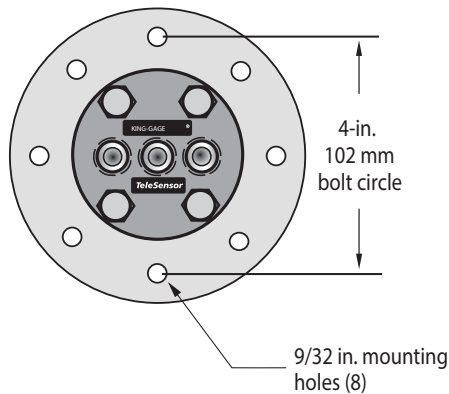
Dimensions -



* 4 in. Flange has 8 bolt circle,
2 and 3 in. Flange have 4 bolt circle.



TeleSensor w/ Special
3-in. Brewery Flange (304 SS)



Part Number Key

92x-xxx

Flange Size

- 2 - 2 in. nominal pipe ANSI, 150-lb.
- 3 - 3 in. nominal pipe ANSI, 150-lb.
- 4 - 4 in. nominal pipe ANSI, 150-lb.
- 5 - Special Brewery 3 in. flange (304 stainless st)

Dash No.	Flange	Diaphragm
11x	carbon steel	titanium
12x	carbon steel	silicone rubber
13x	carbon steel	Buna-N *
31x	304 stainless st	titanium
32x	304 stainless st	silicone rubber
33x	304 stainless st	Buna-N *
61x	brewery special (304 SS)	titanium
72x	316 stainless st	silicone rubber
73x	316 stainless st	Buna-N *
91x	PVC	titanium
92x	PVC	silicone Rubber
93x	PVC	Buna-N *

x—final digit specifies connections:
1 = 1/4" NPT, 3 = 1/4" PolyFlo, 4 = 1/4" Hi-Duty

* Buna-N molded diaphragm is no longer available.
Substitute silicone rubber or titanium.

Table A

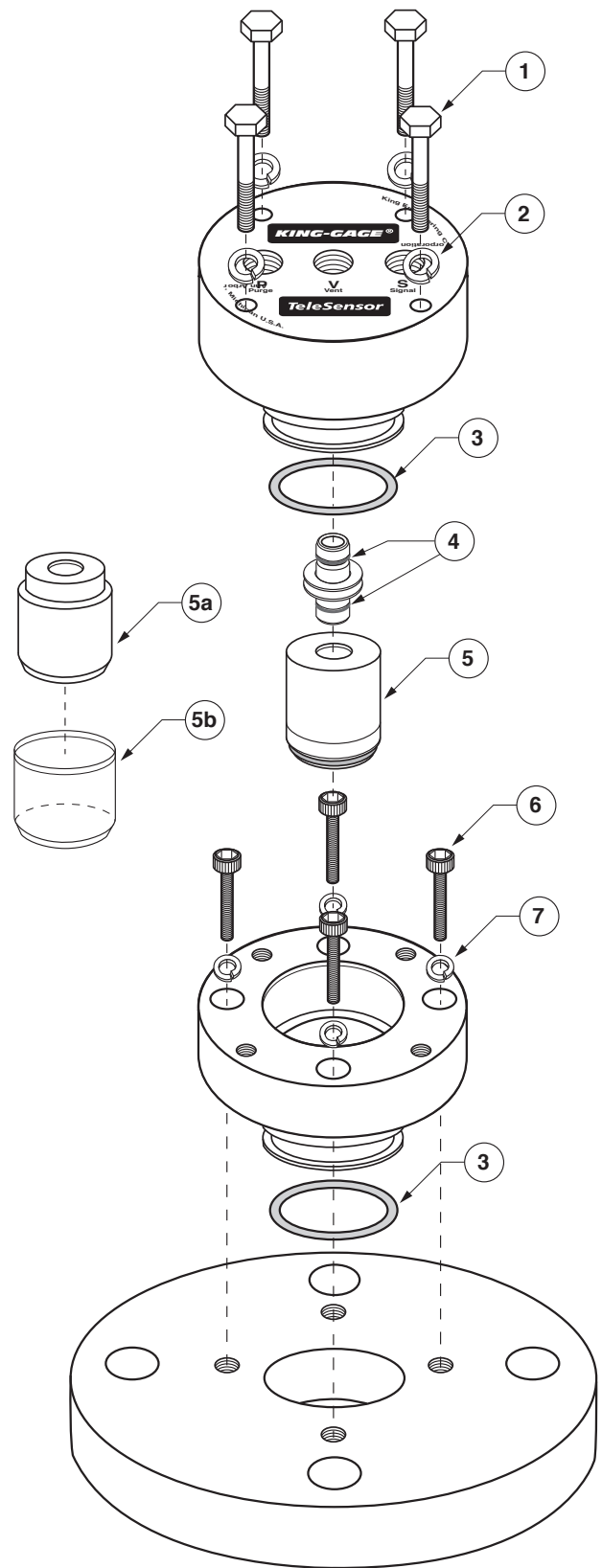
Base	Flange Size	Diameter
922-	2 in. 150 lb B.16 ANSI	6.0 in. / 153 mm
923-	3 in. 150 lb B.16 ANSI	7.5 in. / 191 mm
924-	4 in. 150 lb B.16 ANSI	9.0 in. / 229 mm
925-	3 in. Special Brewery (304 SS)	5.0 in. / 127 mm

Service Parts—Base No. 922, 923, 924 & 925:

ITEM	PART NO.	DESCRIPTION	QTY	NOTES
1	8279-9	Hex cap screw 1/4-20 × 1.5 in.	4	
2	2515-9	Split ring lockwasher 1/4	4	
3	1747-30	O-ring (Viton)	2	I.
4	6495-7	O-ring (Buna-N)	2	
5	7904-2	Titanium diaphragm assy.	II.	
5a	7899-3	Diaphragm body (use w/ 5b)	III.	
5b	6448-12	Molded silicone diaphragm	III.	
6	30295-6	Socket head cap screw 10-32 × 0.75 in.	4	
7	2515-7	Split ring lockwasher #10	4	

Notes

- I. Used for for upper and lower seal as shown.
- II. Metal diaphragm assemblies are unitized construction. Includes O-ring (1747-40-2).
- III. Molded elastomer diaphragms are installed over diaphragm body (Item 5a).



Reference Documentation

EX-1525-1.....Troubleshooting Guide;
TeleSensor Systems

K-1020-1-922.....Installation Instructions;
External Mount TeleSensor