



# 12 SCFM Visi-Guard/Meti-Guard Dryer

These compressed air dryers are intended for instrumentation, laboratory applications and other low-flow uses that require extremely dry or oil-free air. Contaminants in vapor form, which cannot be removed by filtration, are thoroughly removed from the air. The type of application should be specified as to whether dew point reduction (water vapor) or the removal of oil vapor is required.

**Model Numbers:**

1716-10 Visi-Guard  
1716-6 Meti-Guard

**Rated Flow:**

12 SCFM @ 100 psig  
340 L/min @ 7 Kg/cm<sub>2</sub>  
20 m<sup>3</sup>/hr @ 7 bar

**Connections:**

1/2" NPT

**Cartirdges:**

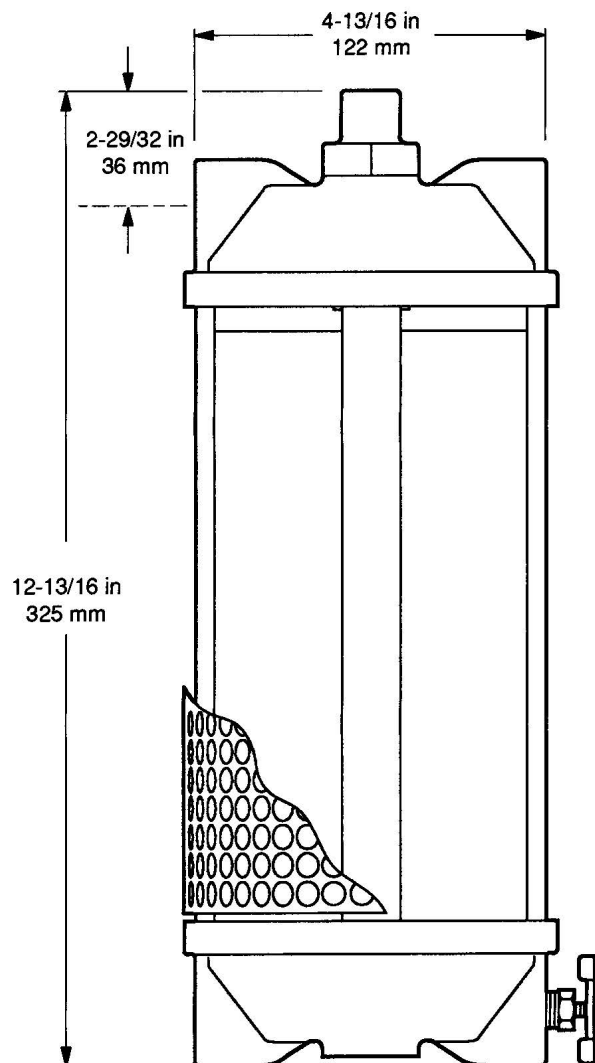
Single Stage Design -  
Desiccant (vapor removal)

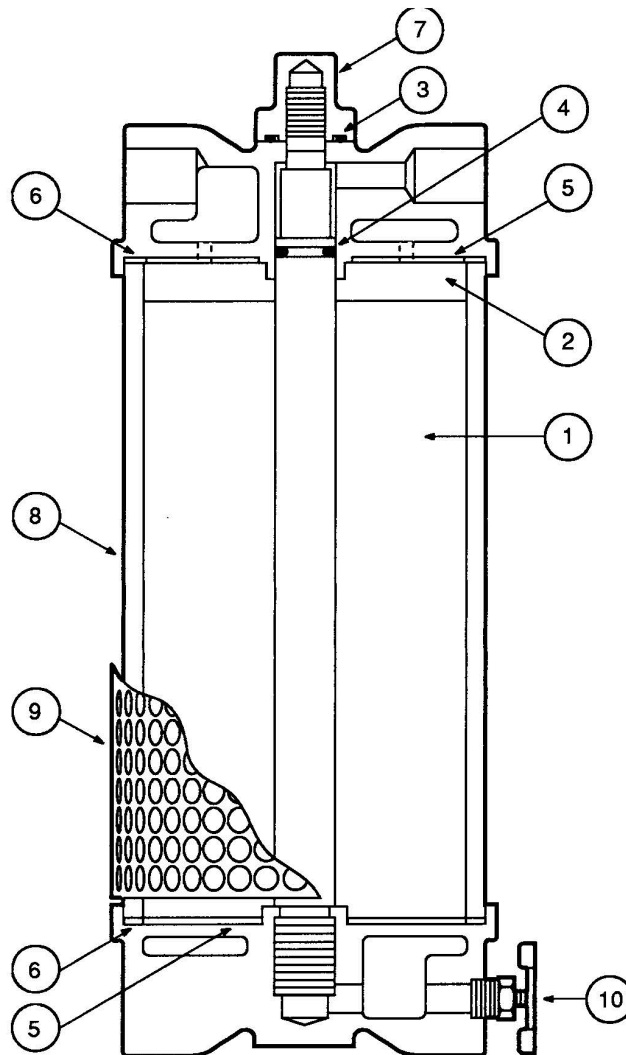
**Physical Data**

Housing -  
(1716-10) Aluminum/Acrylic  
(1716-6) Aluminum  
Weight - 15 lbs./6.81 kg.

**Discontinued Models:**

1716-26 & 1716-30 (w/bullseye moisture indicator)





| Item | Description                     | Part No.  | Qty. |
|------|---------------------------------|-----------|------|
| 1    | Desiccant (note 1 & 2)          | See chart | 1    |
| 2    | Dust Filter Pad                 | 1787      | 1    |
| 3    | O-Ring                          | 6495-14   | 1    |
| 4    | O-Ring                          | 6495-11   | 1    |
| 5    | Screen Replacement Kit (note 3) | 5910-1    | 1    |
| 6    | Gasket (note 4)                 | 9329-21   | 1    |
| 7    | Center Post Nut                 | 1721-NP   | 1    |
| 8    | Visi-Bowl                       | 6113-21   | 1    |
|      | Metl-Bowl                       | 6113-31   | 1    |
| 9    | Shatterguard                    | 9423-11   | 1    |
| 10   | Manual Drain Petcock            | 6120-3    | 1    |

**Desiccant Charge – Replacement Packs**

| Oil Vapor Removal              | Temp. Limit |
|--------------------------------|-------------|
| 1730-4 AC-1 Activated Charcoal | 120°F/49°C  |
| 1730-6 MS-2 Silicate           | 200°F/93°C  |

| Water Vapor Removal             | Temp. Limit |
|---------------------------------|-------------|
| 1730 SG-1 Indicating Silica Gel | 100°F/38°C  |
| 1730-5 MS-1 Silicate            | 200°F/93°C  |

**Notes:**

1. Replacement desiccant packs include filter pad (item 2) and pre-measured charge for 12 SCFM dryers.
2. SG-1 is an indicating color change silica gel that changes from bright blue to pink as water vapor is adsorbed.
3. Includes upper and lower screens and (2) sealing gaskets.
4. Included with item 5.