



Instructions for Replacing Cartridge p/n U3002 in the Ultra-C™ 20 SCFM Filter

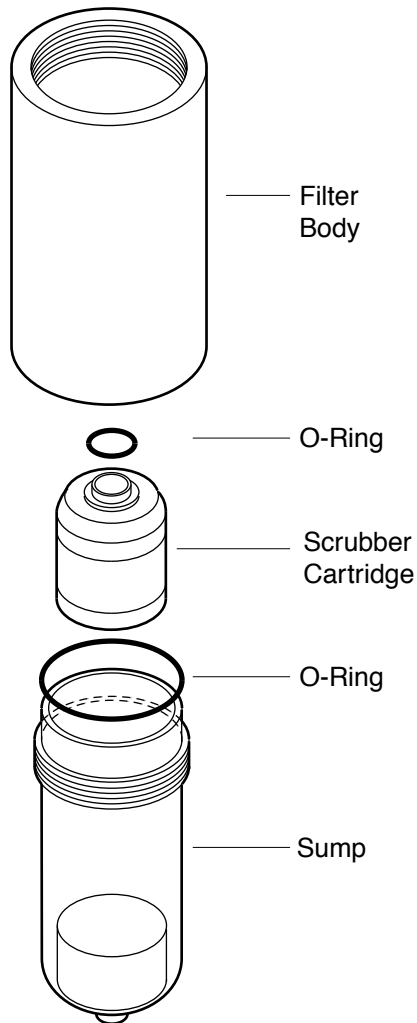
Instructions:

1. Turn off the air supply and drain the filter. This will vent the filter of all compressed air.
2. Remove the threaded sump.
3. Remove the cartridge by unscrewing it. Install a new cartridge and replace the sump.

Special Note: Cartridge and sump are o-ring sealed. Firm hand tightening is adequate.

4. Turn on the air supply and the filter will start functioning immediately.

Caution: Polycarbonate bowls must be cleaned with soap and water only. Do not use volatile solvents.



Instructions for Replacing Cartridge p/n U3002 in the Ultra-C™ 20 SCFM Filter

Instructions:

1. Turn off the air supply and drain the filter. This will vent the filter of all compressed air.
2. Remove the threaded sump.
3. Remove the cartridge by unscrewing it. Install a new cartridge and replace the sump.

Special Note: Cartridge and sump are o-ring sealed. Firm hand tightening is adequate.

4. Turn on the air supply and the filter will start functioning immediately.

Caution: Polycarbonate bowls must be cleaned with soap and water only. Do not use volatile solvents.

