

Service Parts & Dimensions 1090-10.11

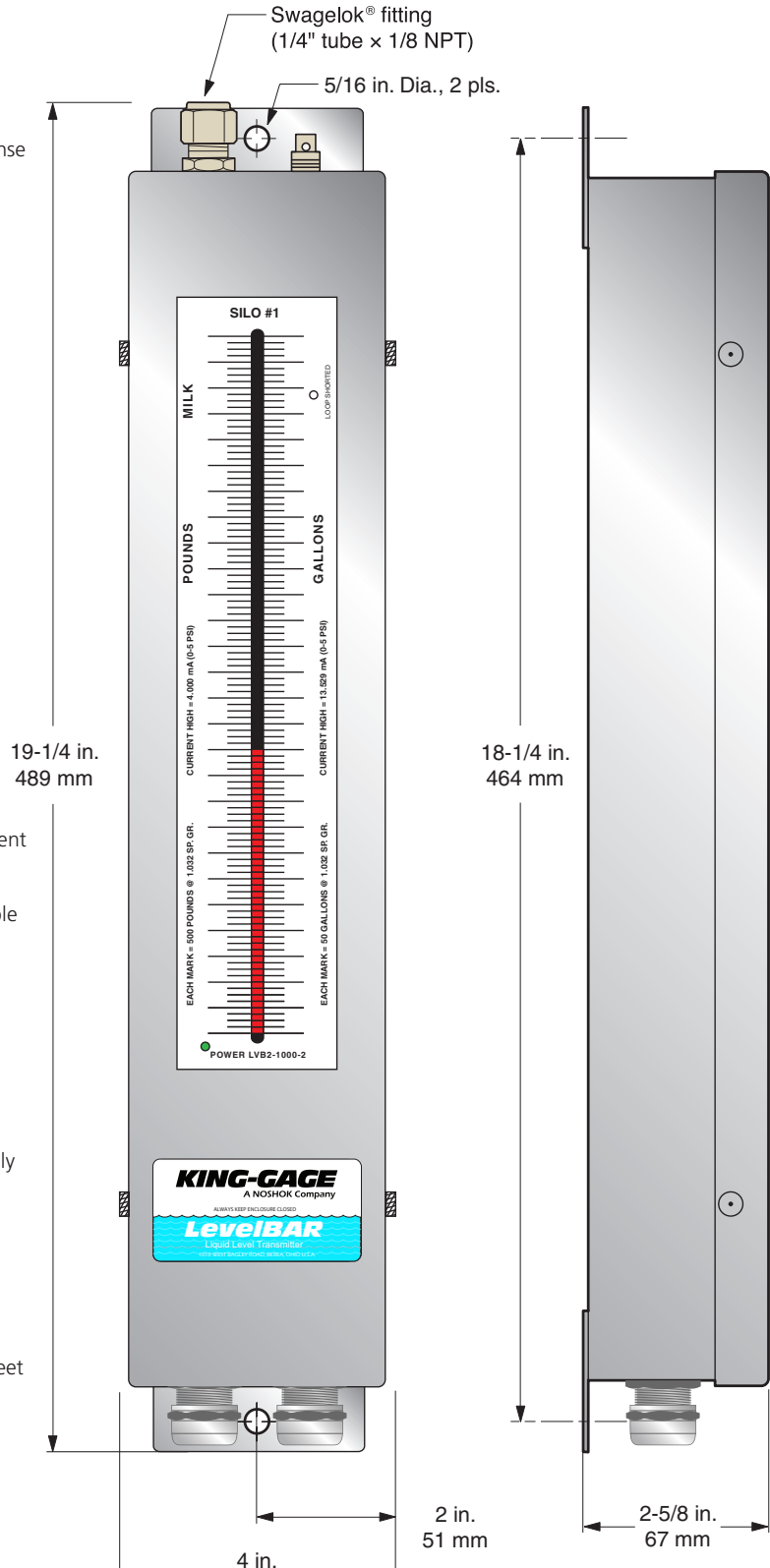
Effective: Nov 2010 (replaces August 2010)

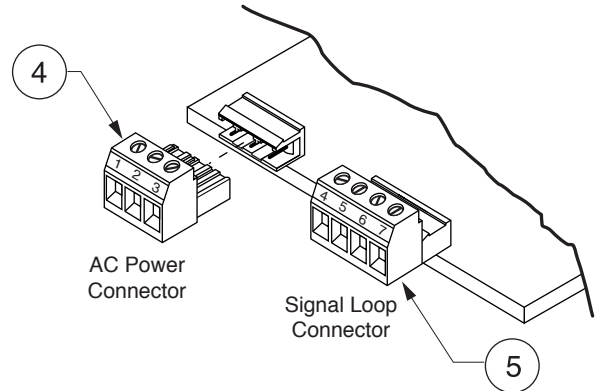
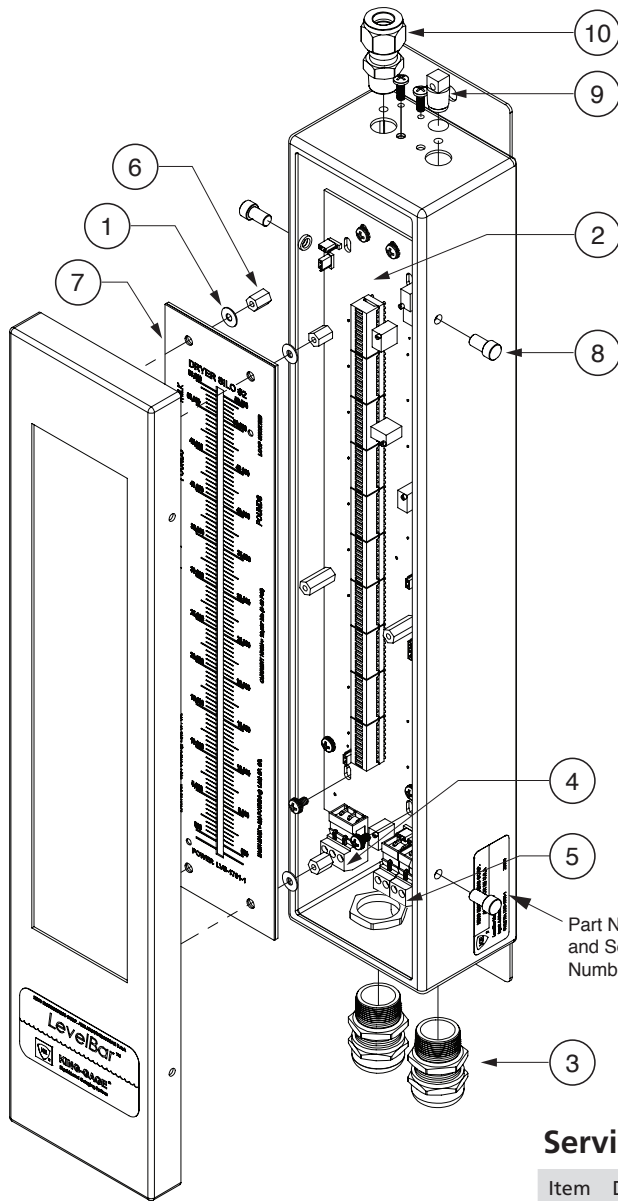
LevelBAR v2 Electronic Column Display Model 5111-2x Pneumatic Input

Model 5111-2x LevelBAR Indicator Specifications

Analog electronic column indicator with integral differential pressure (D/P) transmitter generates milliamp output in response to applied pressure. Individual LED segments illuminate sequentially as signal (i.e., pressure) increases.

- **Display Accuracy/Resolution**
1%
- **Display Type**
100-segment LED (light emitting diode)
- **Display Length**
10³/254 mm
- **Input Power**
100–240 Vac, 50/60 Hz, source ground
- **Output Power**
24 Vdc (transmitter excitation)
- **Input Impedance (Resistance)**
150 ohm nominal (3.0 Vdc drop @ 20 mA)
- **Current Limiting (Overload)**
70 mAdc maximum current; automatic trip/reset circuit using PTC (positive temperature coefficient) resistor limits current overload if signal loop is shorted out.
- **Temperature Range (Environmental)**
30°F to 120°F (-1°C to 49°C) operating range
- **Input Pressure Ranges**
0–5, –10, –15, –30, –50 psid fixed range transmitter element (accepts clean, dry air/gas pressure input). Maximum pressure rating is 300% FS. Minimum pressure range for proper operation is 50% of nominal. The lowest acceptable input pressure range is 0–2.5 psid using the 0–5 psid transducer element.
- **Transmitter Accuracy**
0.5% FS
- **Output**
4–20 mAdc (assumes FSO)
- **Power Supply Voltage (External)**
14–40 Vdc (unregulated) when D/P signal loop is externally powered; required in bypass (or satellite) mode.
- **Maximum Load Capacity**
1400 ohms @ 40 Vdc (external power);
500 ohms @ 24 Vdc (internal power)
- **Physical Data**
304 stainless steel housing and cover with gasket seal, transparent polycarbonate display window. Intended to meet splash proof requirements. The use of waterproof conduit hubs or fittings may be required during installation. Not rated for continuous explosion hazard areas.





Model No. Designation

5111-□

- 20 = pneumatic D/P input (0–5 psid pressure range)
- 21 = pneumatic D/P input (0–10 psid pressure range)
- 22 = pneumatic D/P input (0–15 psid pressure range)
- 23 = pneumatic D/P input (0–30 psid pressure range)
- 24 = pneumatic D/P input (0–50 psid pressure range)

Service Parts List

Item	Description	Quantity	Part No.
1	flat washer, 316 SS	4	2578-10
2	LevelBAR v2 0–5 psid input, display & power supply assy		5109-31
	LevelBAR v2 0–10 psid input, display & power supply assy		5109-32
	LevelBAR v2 0–15 psid input, display & power supply assy		5109-33
	LevelBAR v2 0–30 psid input, display & power supply assy		5109-34
	LevelBAR v2 0–50 psid input, display & power supply assy		5109-35
3	1/2" NPT liquid tight connector w/ locknut (Sealcon)	2	5204-0-21
4	3-terminal socket connector	1	5858-3
5	4-terminal socket connector	1	5858-4
6	1/4" × 11/32" L aluminum hex standoff	4	5925-6
7	LevelBAR v2 replacement scale, 1-unit		5981-1
	LevelBAR v2 replacement scale, 2-unit		5981-2
8	6-32 × 3/8" SS thumbscrew	4	7913S-10
9	1/8" NPT vent plug, polyethylene	1	7499-2
10	1/4" tube × 1/8" NPT Swagelok fitting, male	1	8437S-22