

Figure 1 – Mounting Dimensions

LevelBAR Mounting

The indicator should be mounted in a suitable location where electrical power will be available. While the housing affords protection against repeated wash downs, high humidity or extremely wet locations should be avoided whenever practical. Use only watertight conduit fittings or other connectors for the installation. Do not locate system where sub-freezing temperatures will be encountered (30 F/ -1C below).

1. Mount housing vertically with 1/2" NPT connection at bottom as shown. Use mounting dimensions given in **Figure 1**.
2. Bolt the housing securely to wall or other rigid structural member.

LevelBAR Power Requirements

120 Vac, 50/60 Hz. single phase, 0.5 Amp max.

Internal Electrical Connections

To access the internal connections, remove the two (2) screws at the top of the housing as well as the four (4) screws that secure the cover.

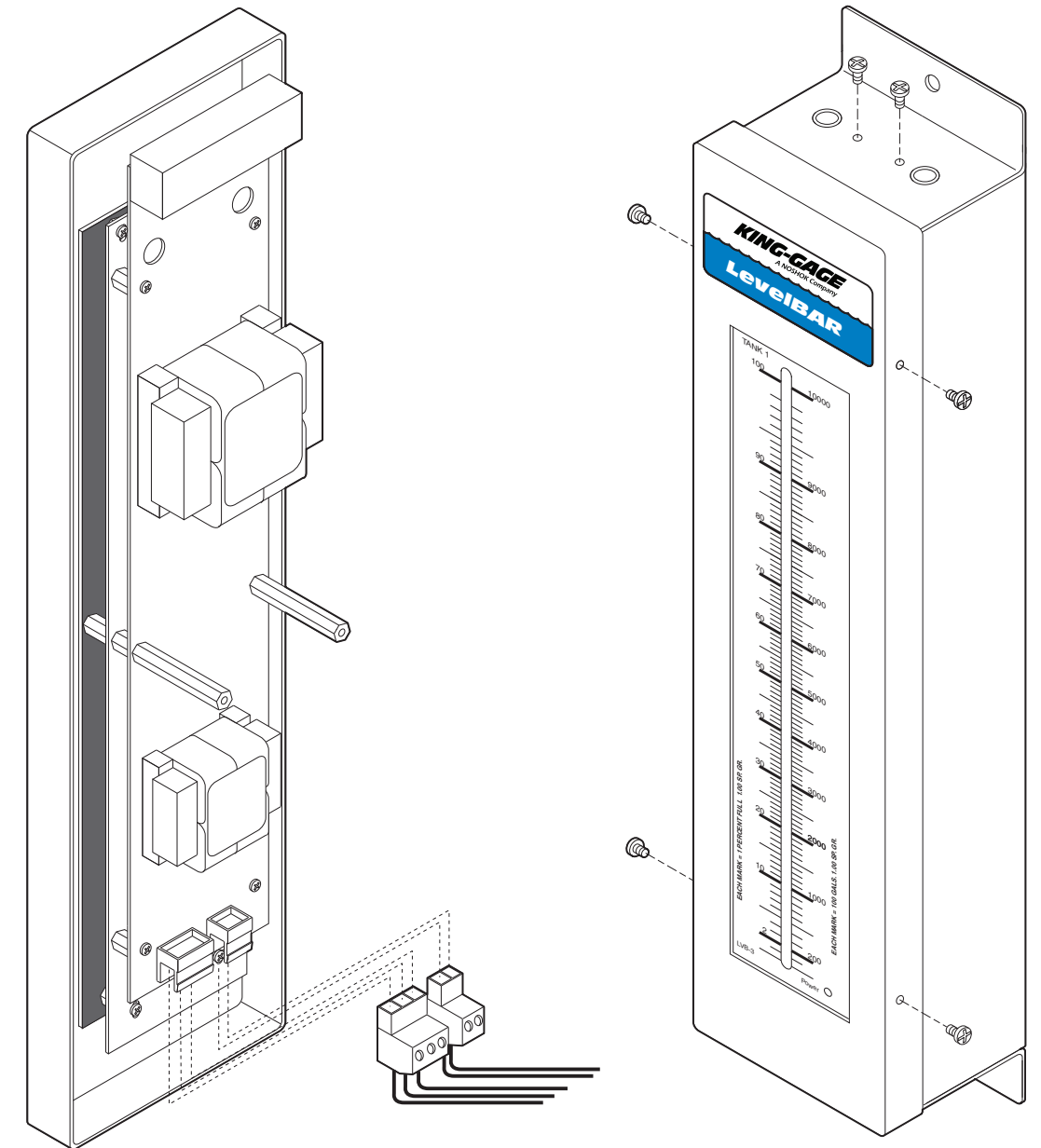


Figure 2 – Cover and Chassis Assembly

INSTALLATION INSTRUCTIONS

LevelBAR
Electronic Input (4-20 mA)
Model 5110-10

			DATE	12/4/2006
B	12/06	en español	DRAWN BY	H. Emrick
A	1/94	Released	APPROVED	

KING-GAGE
A NOSHOK Company

1010 West Bagley Rd., Berea, Ohio 44017
Ph 855.367.2494 www.king-gage.com

DWG. NO.
K-1090-1-5110-10

REV.
B

SHEET 1 OF 2

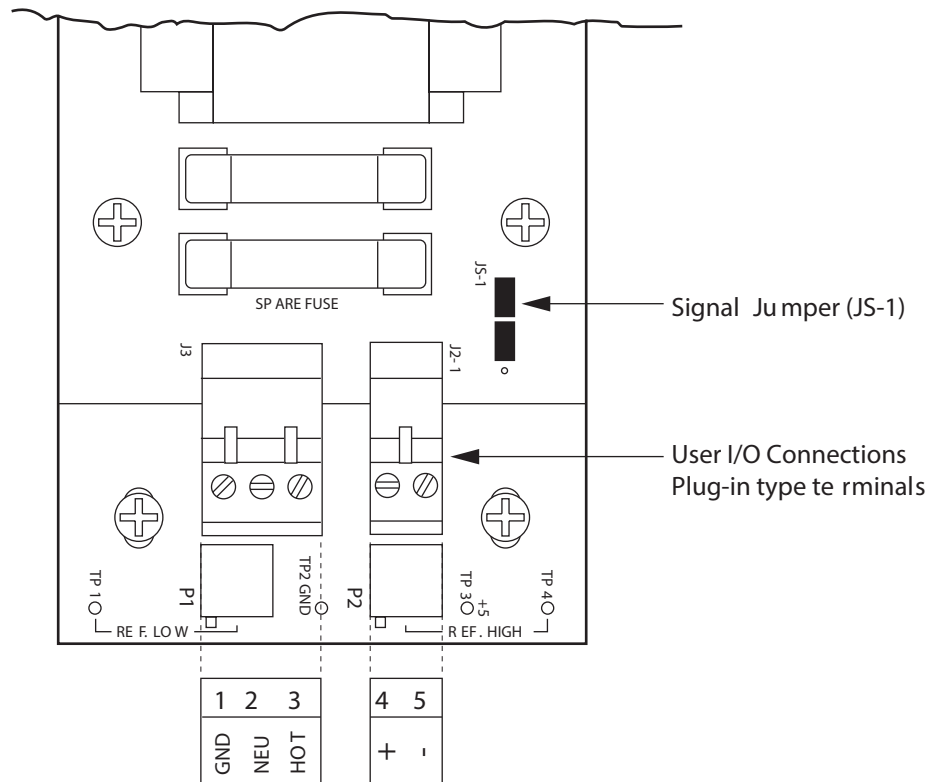


Figure 3 – Signal Jumper and Terminal Locations

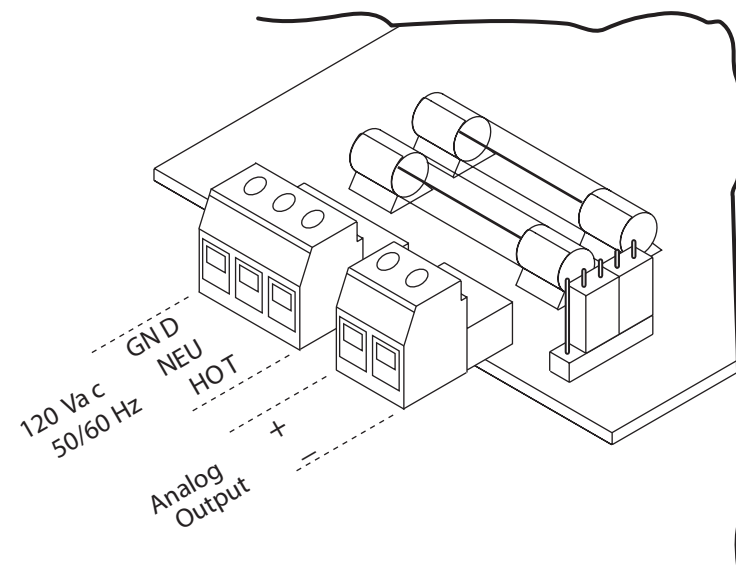


Figure 4 – Connection Terminals

Power (120 Vac)

Connect the LevelBAR indicator to a grounded 120 Vac, 50/60 Hz. power source. Maintain polarity (GND/NEU/HOT) as indicated. Use only watertight conduit for hubs or fittings for the 1/2" NPT connection cable entry at the bottom of the housing.

4-20 mA Signal Input

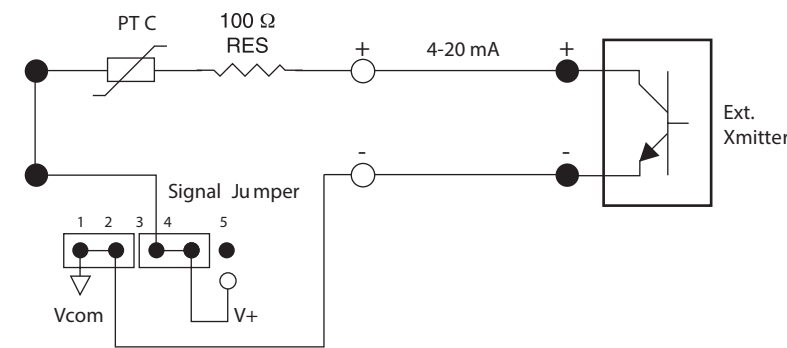
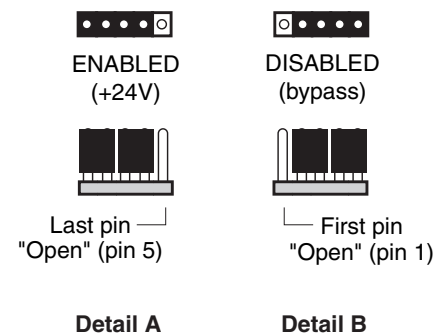
LevelBAR indicators are designed to accept the proportional 4-20 mA dc electrical signal from typical two wire loop powered transmitters. Each LevelBAR indicator includes an onboard 24 Vdc supply that can be used to power the transmitter and signal loop. If an external power supply is used within the loop circuit, the onboard 24 Vdc must be internally bypassed within the indicator. (See **Signal Jumper.**)

Signal Jumper (24 Vdc Power)

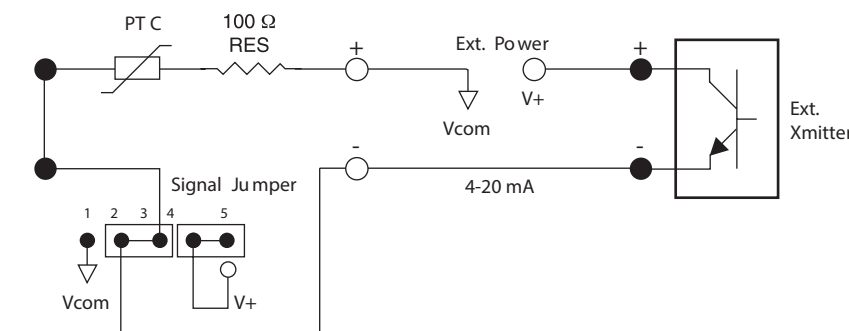
The onboard 24 Vdc supply can either be enabled or bypassed, depending upon whether an external transmitter power supply is already being used.

JS-1 Enable Position: +24 Vdc is applied through the + signal terminal to the transmitter.

JS-1 Bypass Position: Power supply is bypassed (disabled).



Electronic System – LevelBAR with +24V enabled, 4-20 mA signal from external transmitter.



Electronic System – LevelBAR with external power supply, 4-20 mA signal from external transmitter.

INSTALLATION INSTRUCTIONS

LevelBAR
Electronic Input (4-20 mA)
Model 5110-10

			DATE	12/4/2006
B	12/06	en español	DRAWN BY	H. Emrick
A	1/94	Released	APPROVED	

KING-GAGE
A NOSHOK Company
1010 West Bagley Rd., Berea, Ohio 44017
Ph 855.367.2494 www.king-gage.com

DWG. NO.
K-1090-1-5110-10

REV.
B
SHEET 2 OF 2