

Figure 1 – Mounting Dimensions

### LevelBAR Mounting

The indicator should be mounted in a suitable location where electrical power will be available. While the housing affords protection against repeated wash downs, high humidity or extremely wet locations should be avoided whenever practical. Use only watertight conduit fittings or other connectors for the installation. Do not locate system where sub-freezing temperatures will be encountered (30 F/ -1C below).

1. Mount housing vertically with 1/2" NPT connection at bottom as shown. Use mounting dimensions given in **Figure 1**.
2. Bolt the housing securely to wall or other rigid structural member.

### LevelBAR Power Requirements

120 Vac, 50/60 Hz. single phase, 0.5 Amp max.

### Internal Electrical Connections

To access the internal connections, remove the two (2) screws at the top of the housing as well as the four (4) screws that secure the cover.

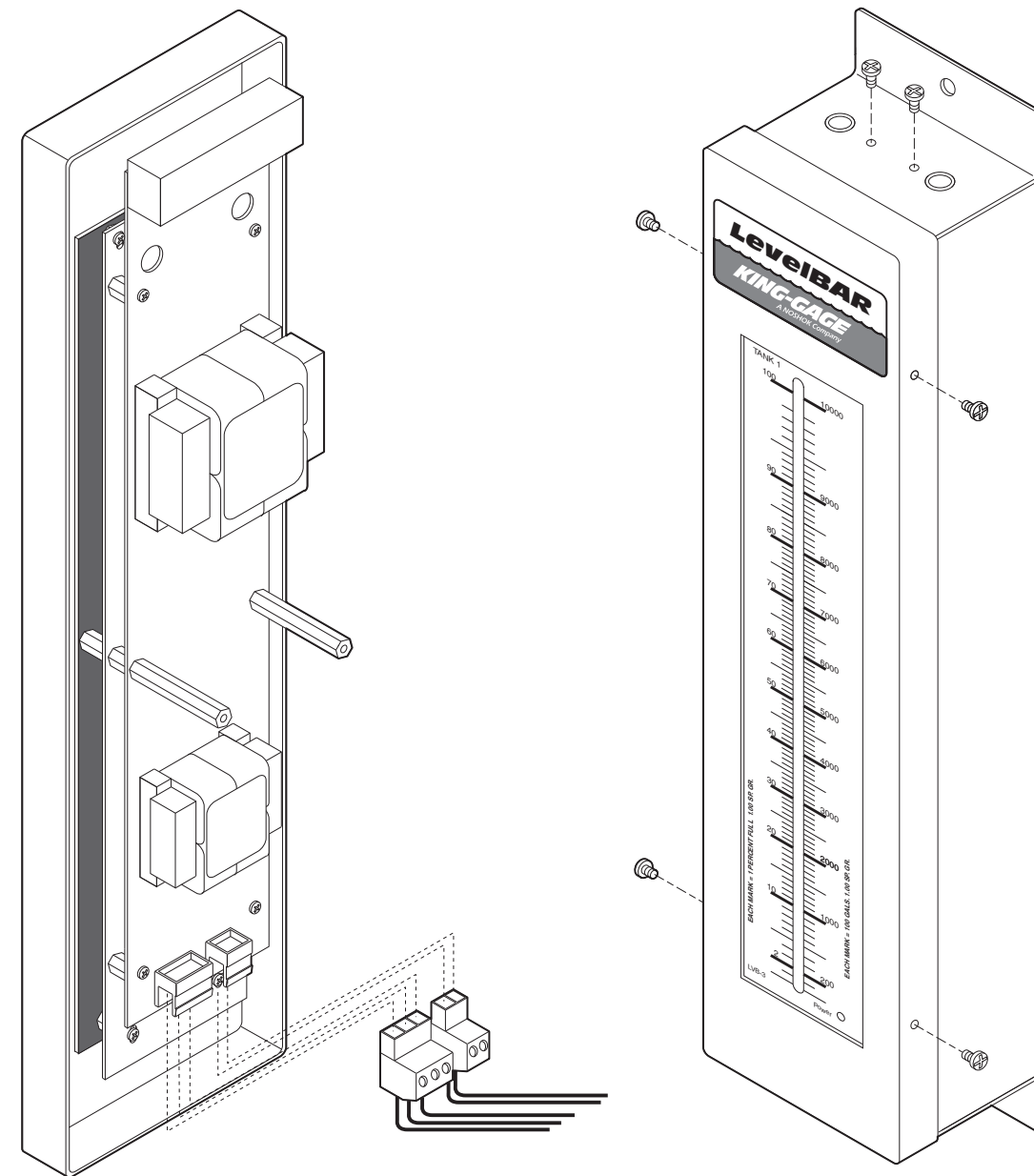


Figure 2 – Cover and Chassis Assembly

## INSTALLATION INSTRUCTIONS

**LevelBAR**  
Pneumatic Input  
Model 5110-2x

			DATE	12/4/2006
B	12/06	en español	DRAWN BY	H. Emrick
A	1/94	Released	APPROVED	

**KING-GAGE**  
A NOSHOK Company

1010 West Bagley Rd., Berea, Ohio 44017  
Ph 855.367.2494 www.king-gage.com

DWG. NO.  
**K-1090-1-5110-20**

SHEET **1** OF **2**

REV.  
**B**

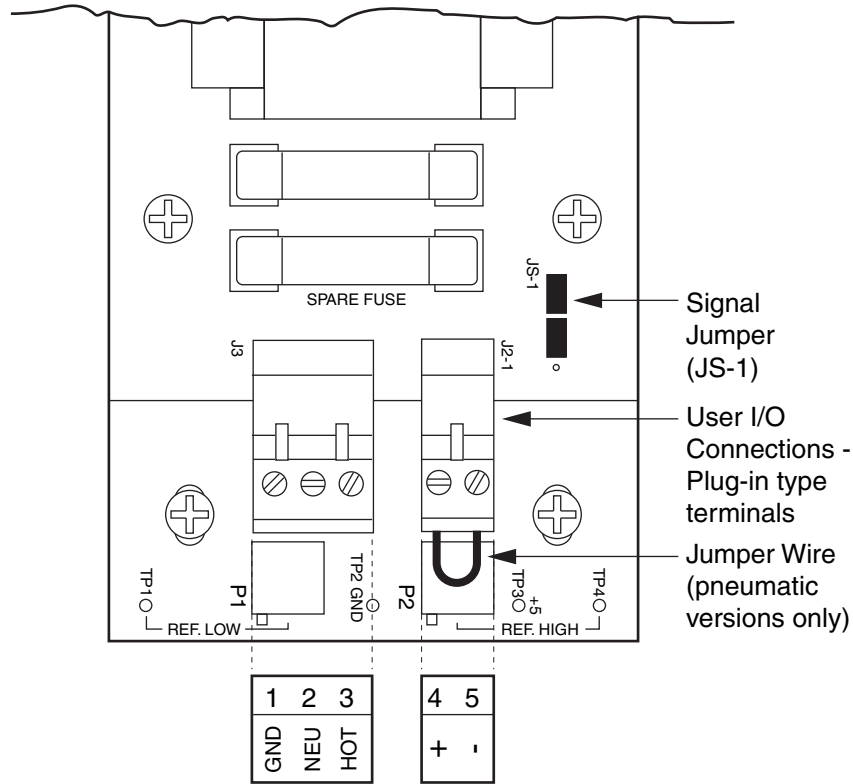


Figure 3 – Signal Jumper and Terminal Locations

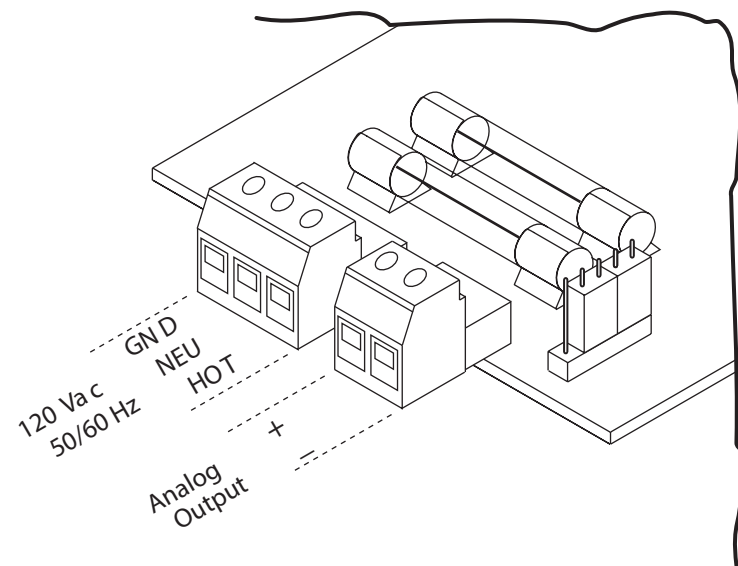


Figure 4 – Connection Terminals

**Power (120 Vac)**

Connect the LevelBAR indicator to a grounded 120 Vac, 50/60 Hz. power source. Maintain polarity (GND/NEU/HOT) as indicated. Use only watertight conduit for hubs or fittings for the 1/2" NPT connection cable entry at the bottom of the housing.

**4-20 mA Signal Input**

The LevelBAR can provide a 4-20 mA output\* signal for monitoring or control use. If the 4-20 mA output will not be used, the factory installed jumper wire must remain connected to terminals #4 and #5.

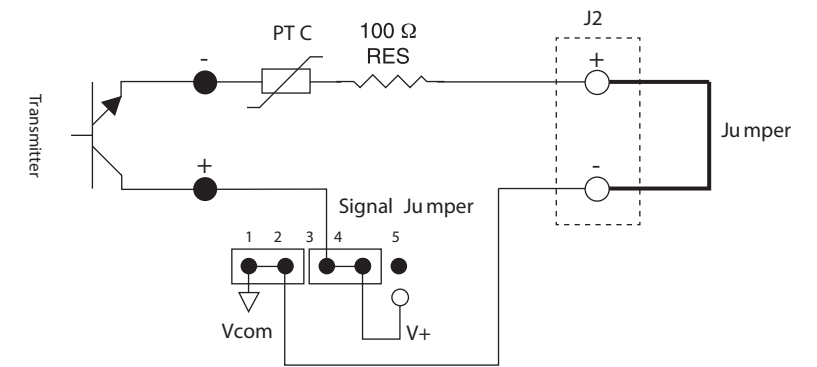
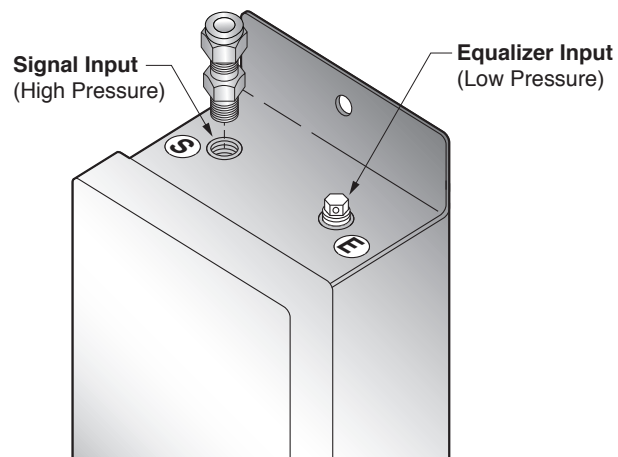
\*Actual milliamp output may be less than 20 mA depending upon application and pressure range of the internal D/P transmitter

**Pneumatic Input Connections**

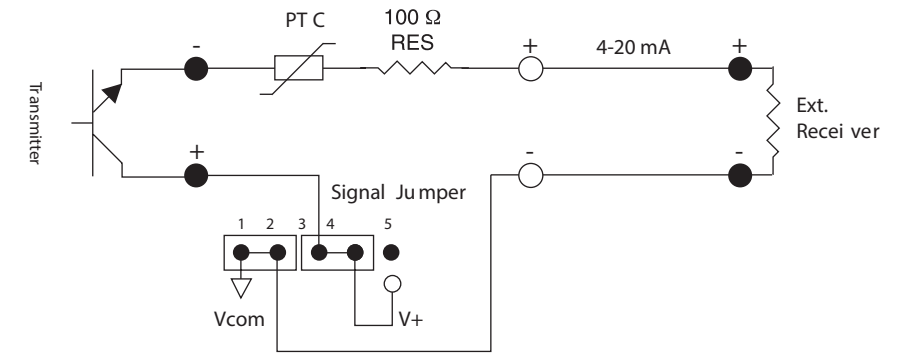
The LevelBAR is designed to accept clean, dry air or gas pressure inputs only. A vent line routed to a dry and protected location may be necessary if indicator is located in an extremely wet or humid area.

**S - Signal (high pressure):** Install 1/8" NPT fitting into the left hand port and connect the tank signal line.

**E - Equalizer (low pressure):** For most fully vented tank gauging applications, the supplied vent plug may be used (except as noted above). Non-vented tanks should have the equalizer line or upper tank void sensor signal connected to the E port.



Pneumatic System – LevelBAR with +24V enabled, factory jumper for internal signal.



Pneumatic System – LevelBAR with +24V enabled, 4-20 mA to external receiver.

**INSTALLATION INSTRUCTIONS**

**LevelBAR  
Pneumatic Input  
Model 5110-2x**

			DATE	12/4/2006
B	12/06	en español	DRAWN BY	H. Emrick
A	1/94	Released	APPROVED	

**KING-GAGE**  
A NOSHOK Company  
1010 West Bagley Rd., Berea, Ohio 44017  
Ph 855.367.2494 www.king-gage.com

DWG. NO.	K-1090-1-5110-20
REV.	B
SHEET 2 OF 2	