

# Service Parts & Dimensions 1090-10.30

Effective: Nov 2010 (Oct 2010)

## LevelBAR HP Electronic Column Display Model 5111-3x Hand Pump Operation

### 5111-3x Series LevelBAR Indicator Specifications

Analog electronic column indicator with integral differential pressure (D/P) transmitter generates milliamp output in response to applied pressure. Individual LED segments illuminate sequentially as signal (i.e., pressure) increases.

#### Display Accuracy/Resolution

1%

#### Display Type

100-segment LED (light emitting diode)

#### Display Length

10 in./ 254 mm

#### Input Power

100–240 Vac, 50/60 Hz, source ground

#### Temperature Range (Environmental)

30° to 120°F (-1° to 49°C) operating range

#### Input Pressure Ranges

0-5, -10, -15, -30 psid fixed range transmitter element (accepts clean, dry air/gas pressure input). Maximum pressure rating is 300% FS. Minimum pressure range for proper operation is 50% of nominal. The lowest acceptable input pressure range is 0–2.5 psid using the 0–5 psid transducer element.

#### Transmitter Accuracy

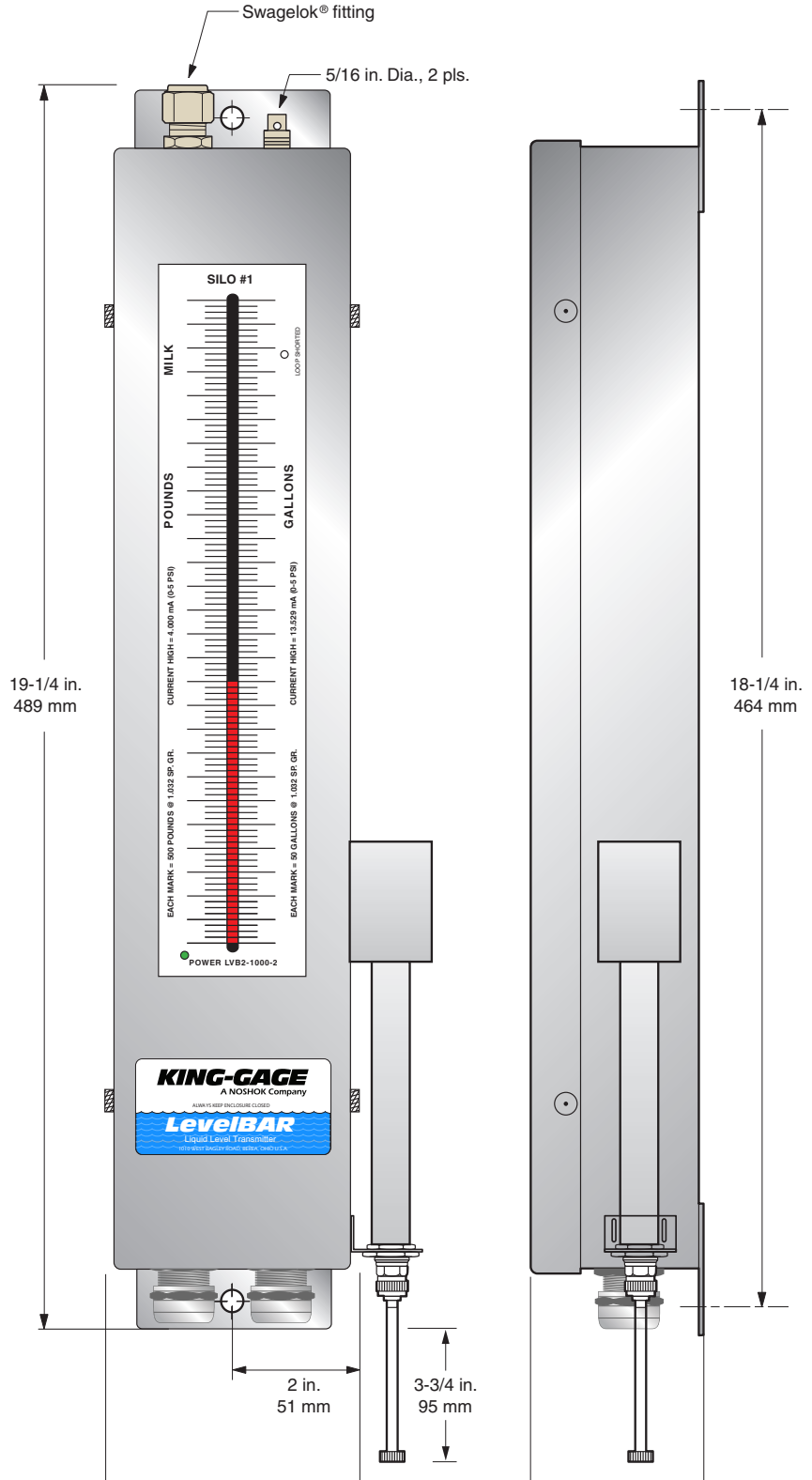
0.5% FS

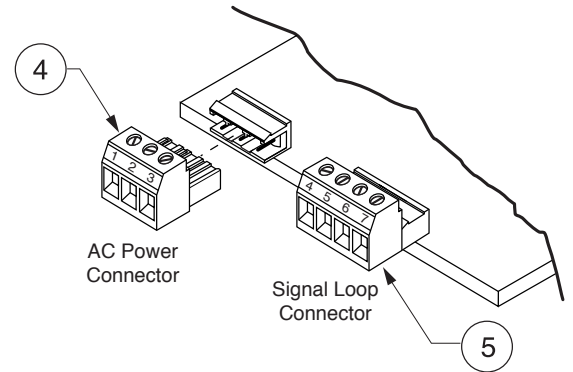
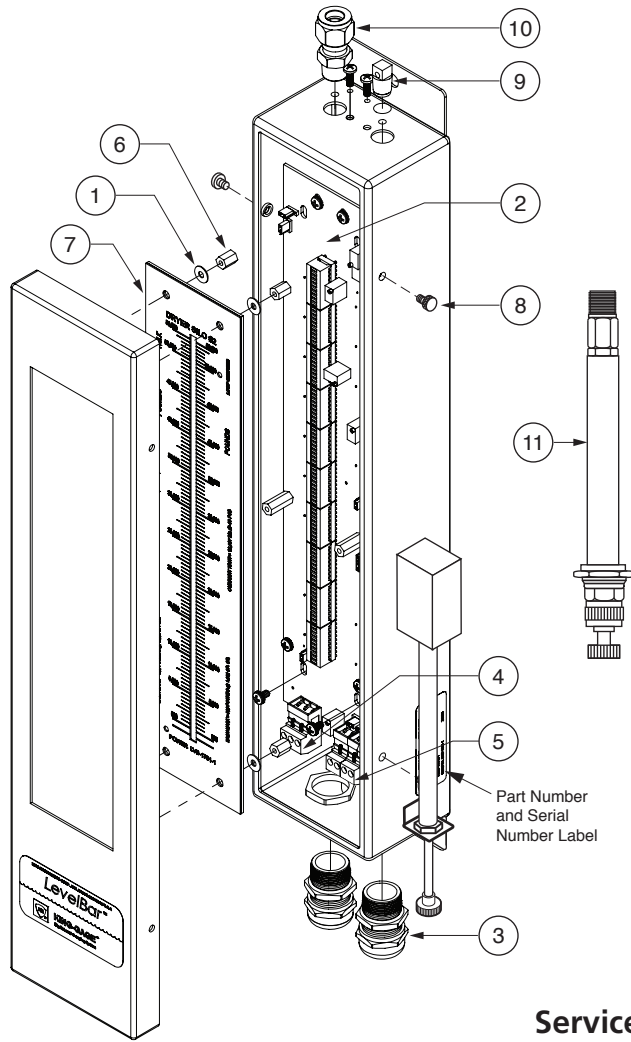
#### Physical Data

304 stainless steel housing and cover with gasket seal, transparent polycarbonate display window. Intended to meet splash proof requirements. The use of waterproof conduit hubs or fittings may be required during installation. Not rated for continuous explosion hazard areas.

#### IMPORTANT!

Not rated for explosion hazard designated areas.





**Model No. Designation**

**5111-3**   

- 0** = pneumatic D/P input (0-5 psid pressure range)
- 1** = pneumatic D/P input (0-10 psid pressure range)
- 2** = pneumatic D/P input (0-15 psid pressure range)
- 3** = pneumatic D/P input (0-30 psid pressure range)

**Service Parts List**

Item	Description	Quantity	Part No.
1	flat washer, 316 SS	4	2578-10
2	LevelBAR v2 0-5 psid input, display & power supply assy		5109-31
	LevelBAR v2 0-10 psid input, display & power supply assy		5109-32
	LevelBAR v2 0-15 psid input, display & power supply assy		5109-33
	LevelBAR v2 0-30 psid input, display & power supply assy		5109-34
3	1/2" NPT liquid tight connector w/ locknut (Sealcon)	2	5204-0-21
4	3-terminal socket connector	1	5858-3
5	4-terminal socket connector	1	5858-4
6	1/4" x 11/32" L aluminum hex standoff	4	5925-6
7	LevelBAR v2 replacement scale, 1-unit		5981-1
	LevelBAR v2 replacement scale, 2-unit		5981-2
8	6-32 x 3/8" SS thumbscrew	4	7913S-10
9	1/8" NPT vent plug, polyethylene	1	7499-2
10	1/4" tube x 1/8" NPT Swagelok fitting, male	1	8437S-22
11	Hand pump assembly	1	5147-5