

Service Parts & Dimensions 1010-10.40

Effective: February, 2011 (replaces May, 2009)

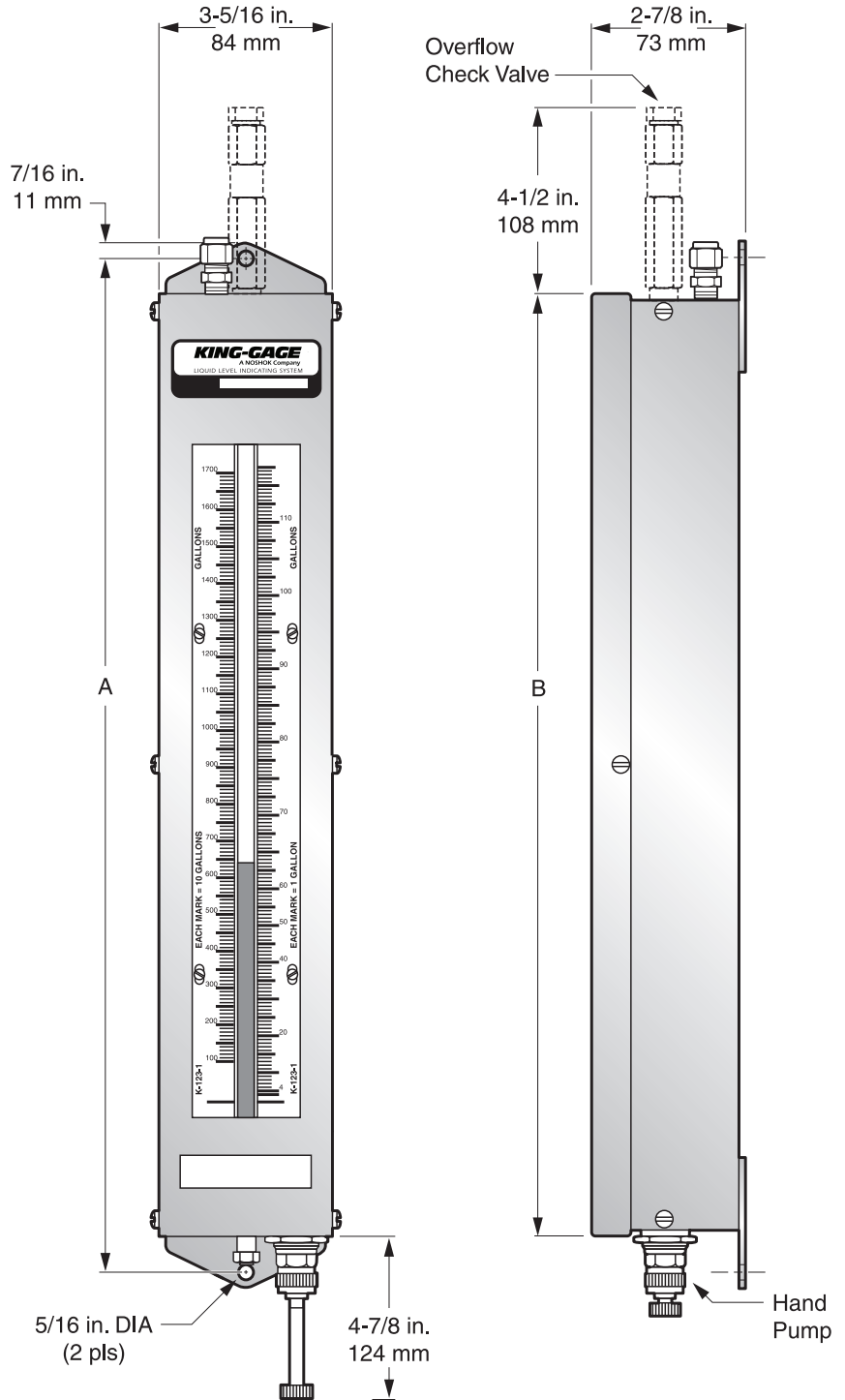
Model 5992 Tank Level Indicator w/ Hand Pump

Liquid Level Indicator Specifications

- **Operating Principle**
Well-type manometer acts as a frictionless hydrostatic force-balance. A liquid fill is raised in direct proportion to the magnitude of pressure applied. (Varies based on type of indicating liquid employed.)
- **Resolution**
Infinite based on type of indicating liquid employed.
- **Input Connection(s)**
1/4" NPT tapped connection for typical tube fittings. Accepts pneumatic air/gas pressure input; high and low pressure inputs.
- **Materials of Construction**
Formed channel indicator housing; brushed stainless steel (type 304). Heavy plate glass window; acrylic plastic window available as special order.
- **Wetted Parts**
316 stainless steel liquid well and tubing.
- **Indicating Tube**
High strength, fully annealed glass (Pyrex®)
- **KING-GAGE Indicator**
Single display tube. Available in wall mount housing only.
Scale Ranges: 20", 35", 43", 51", 66"

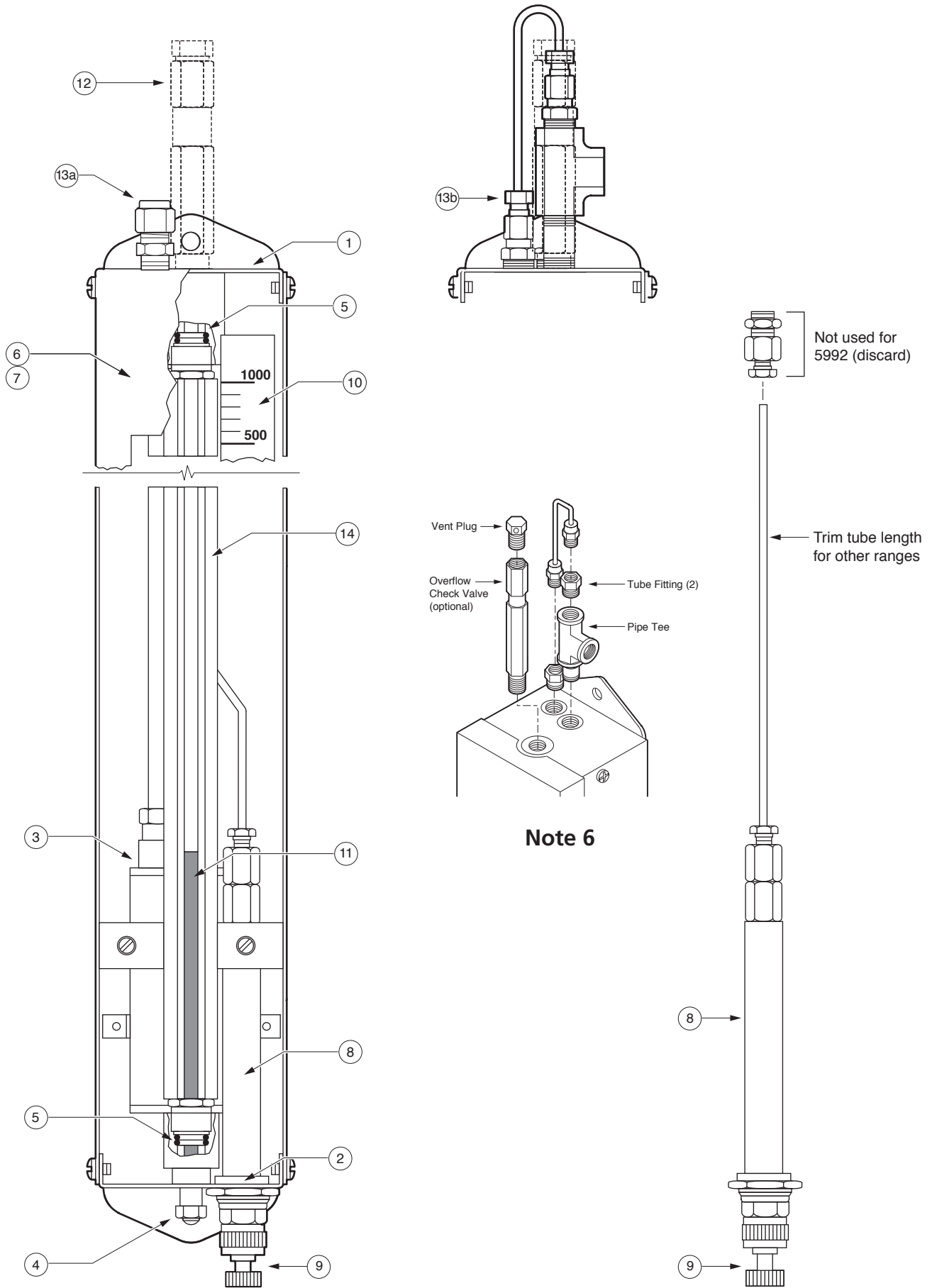
Dimensions by Indicator Range (inches)

Range	Dim. "A"	Dim. "B"
20	26-1/4	25-3/8
35	42-1/4	41-3/8
43	50-1/4	49-3/8
51	58-1/4	57-3/8
66	74-1/4	73-3/8



Model 5992 Service Parts:

Item	Description	Part No.	Qty.	Notes	Notes:
1	Top Plate	5143F-2	1	1	1. F=painted steel, S=stainless steel. 2. Dash number indicates range. 3. Dash number indicates bottle size (8 or 16 oz. bottles only). 4. Sold by weight (1 lb. bottles only). 5. When ordering a replacement scale, the following information must be supplied: <ul style="list-style-type: none"> • Tank Designation • Unit(s) of measurement • Scale serial number • Specific gravity, product density, etc. 6. Item 13b applies to older configurations that incorporated three (3) connection ports on the top plate.
	Top Plate	5143S-2	1	1	
2	Bottom Plate	5142F-2	1	1	
	Bottom Plate	5142S-2	1	1	
3	Gage Repl. Well	7754-20, -35	1	2	
	(includes: gauge well fab., drain plug, nylon washer, pressure tube, & well conn. nut)	7755-43, -51, -66	1	2	
4	Drain Plug	7560	1		
	(included with item 3)				
	Washer, Nylon	6997	1		
	(included with item 3)				
5	Glass Tube Repl. Kit	5159-x	1	2	
	(includes: glass tube, packing washers, o-rings, & well conn. nut)				
	Glass Tube Packing Seal Kit	5181-1	1		
	(includes: packing washers, o-rings, & well conn. nut)				
6	Front Cover Assembly	8815F-x	1	1,2	
	Front Cover Assembly	8815S-x	1	1,2	
7	Glass & Molding Assy.	8866-x	1	2	
	(included with item 6)				
8	Hand Pump Repl. Kit	5154-1-43, -81	1	2	
	(tube is trimmed for shorter ranges)				
9	Plunger Assy.	3811	1		
	(included with item 8)				
10	Replacement Scale				
	1-Unit Scale	7083-x	1	5	
	2-Unit Scale	7084-x	1	5	
11	Replacement Liquid				
	Red, No. 294	2992-x	1	3	
	Purple, No. 175	9175-x	1	3	
	Mercury	2604-3-1	1	4	
12	Overflow Check Valve	8838	1		
13a	Swagelok Fitting	8437B-23	1		
13b	Repl. Top Fitting	5161-2	1		
	(includes: conn. tube, hex pipe bushings, pipe tee, pipe nipple, & tube fittings)				
14	Reflector	7761-x	1	2	



This page intentionally left blank