

Visi-Guard Filter/Dryer 12 SCFM, Polycarbonate Sump



4532 SERIES

- Combination coalescing filter and desiccant dryer provides a complete solution for critical end use applications
- Incorporates a first stage submicron filter element and second stage vapor removal (oil or water) for applications including product packaging and precision laboratory equipment and instrumentation
- Desiccant selection determines application: AC-1 reduces oil vapor to ≤ 0.5 ppm (w/w); water vapor reducing desiccants allow for dew points as low as $-100^{\circ}\text{F}/-73^{\circ}\text{C}$ (MS-1) or $-50^{\circ}\text{F}/-45^{\circ}\text{C}$ (SG-1)

APPLICATIONS

- Product packaging and precision laboratory equipment and instrumentation

APPLICATION NOTES

- Polycarbonate sumps and/or acrylic plastic housings will be damaged if exposed to phosphate ester (syn-thetic) lubricants, chlorinated hydro-carbon solvents, methanol, acetone, ketones or lacquer solvents
- Continued exposure to these compounds may result in premature failure of the pressure housing
- Use only metal sumps/housings in environments where these materials and/or vapors are present
- Use of metal safety guards is generally recommended in certain instances, occupational safety regulations may require the use of metal guards or metal pressure housings
- Manufacturer's warranties are void in the event of misapplication or negligence and manufacturer assumes no responsibility for loss under such circumstances.

SPECIFICATIONS

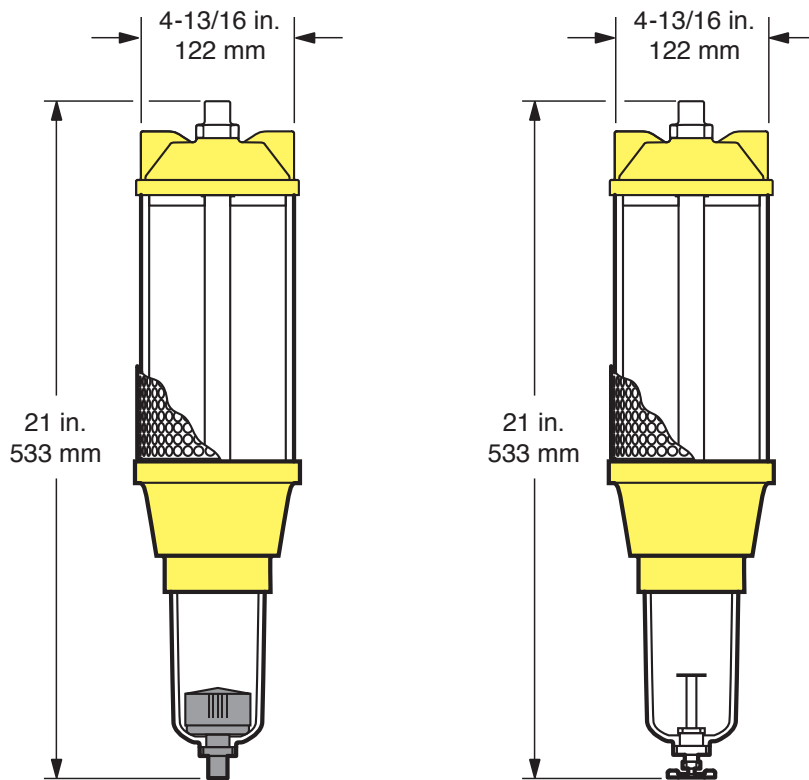
Maximum pressure	150 psi
Rated flow	12 scfm @ 100 psig; 340 l/min @ 7 Kg/cm ² ; 20 m ³ /hr @ 7 bar
Connections	1/2" NPT
Filter type	Coalescing element, 2nd stage desiccant bed
Housing	Aluminum/Acrylic
Efficiency	99.9% @ 0.1 micron, vapor content ≤ 0.5 ppm
Weight	15.0 lb/7 kg



ORDERING INFORMATION		
SERIES	4532 Visi-Guard Filter/Dryer 12 SCFM	
SUMP TYPES	23 Polycarbonate, with manual drain	23T Polycarbonate, with auto drain
EFFICIENCY	6-1 With SG-1 desiccant, 99.9% @ 0.1 micron, water vapor (-50°F/-45°C dew point)	6-5 With MS-1 desiccant, 99.9% @ 0.1 micron, water vapor (-100°F/-73°C dew point)
	6-4 With AC-1 desiccant, 99.9% @ 0.1 micron, oil vapor (≤ 0.5 ppm w/w)	

EXAMPLE

Series4532 Series 4532 - 23 - 6-5
 Sump type With manual drain
 Efficiency With MS-1 desiccant, 99.9% @ 0.1 micron, water vapor (-100°F/-73°C dew point)



Replacement Cartridge
 9318-80 - Type 750 Scrubber