

Ultra -C 20 SCFM



U200/U201 U202/U203 SERIES

- Demanding ultra clean compressed air filter for packaging, paint/coating systems, machine tools, and pneumatic instrumentation
- The high efficiency two-stage filter uses a self-draining coalescing element to remove large amounts of solid and liquid contaminants from the airline

APPLICATIONS

- Instrumentation
- Fluidics
- Packaging
- Laboratory

SPECIFICATIONS

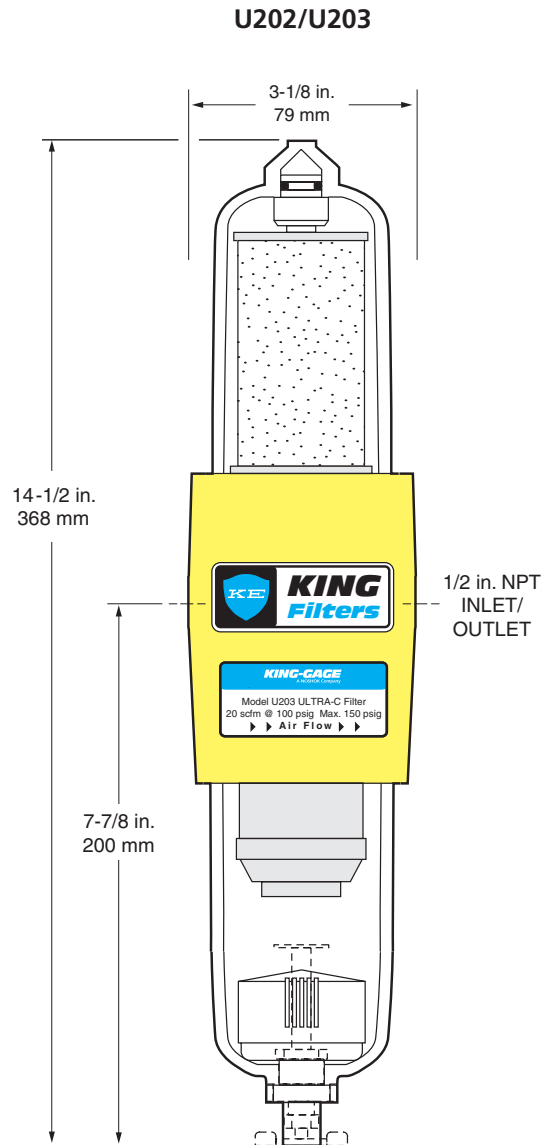
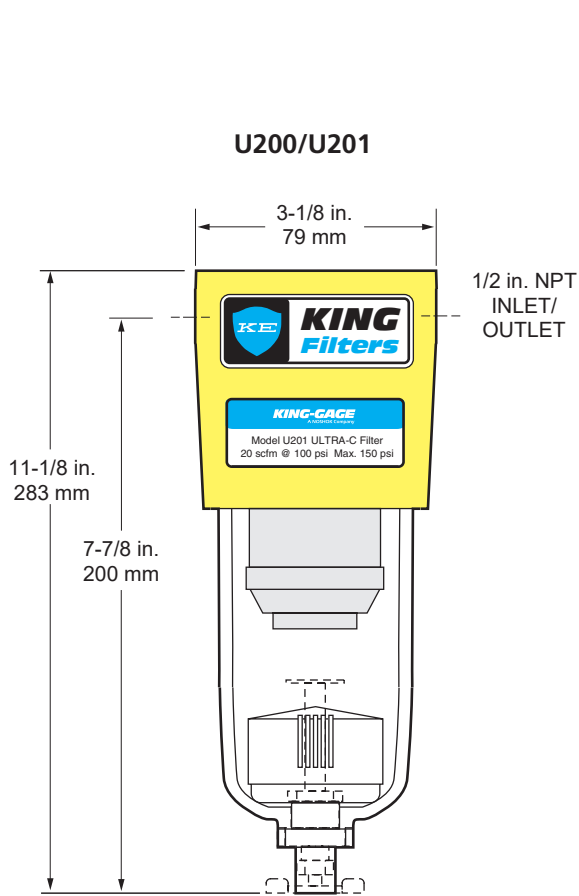
Maximum inlet pressure	150 psig (10.3 bar)
Capacity (flow)	20 scfm @ 100 psig (34 m ³ /hr @ 7 bar)
Rated efficiency	99.9% @ 0.1 micron
Connections (inlet/outlet)	1/2" NPT, female
Housing material	Cast aluminum
Sump material	Polycarbonate
Sump drain	U201/U203: auto drain U200/U202: manual drain
Cartridge elements	U202/U203: Dual cartridge, 1st stage scrubber, 2nd stage polisher U3002 scrubber (type 750) U3003 indicating polisher (type 750) U200/U201: Single cartridge coalescing scrubber U3002 scrubber (type 750)
Weight	2 lb/1 kg



U200/U201/U202/U203 SERIES

ORDERING
INFORMATION
DIMENSIONS

ORDERING INFORMATION		
SERIES	U200 Single stage with manual drain	U202 Dual stage with manual drain
	U201 Single stage with auto drain	U203 Dual stage with auto drain



**U3002 Ultra-C
Scrubber Cartridge**



**U3003 Ultra-C
Color Change Polisher**

